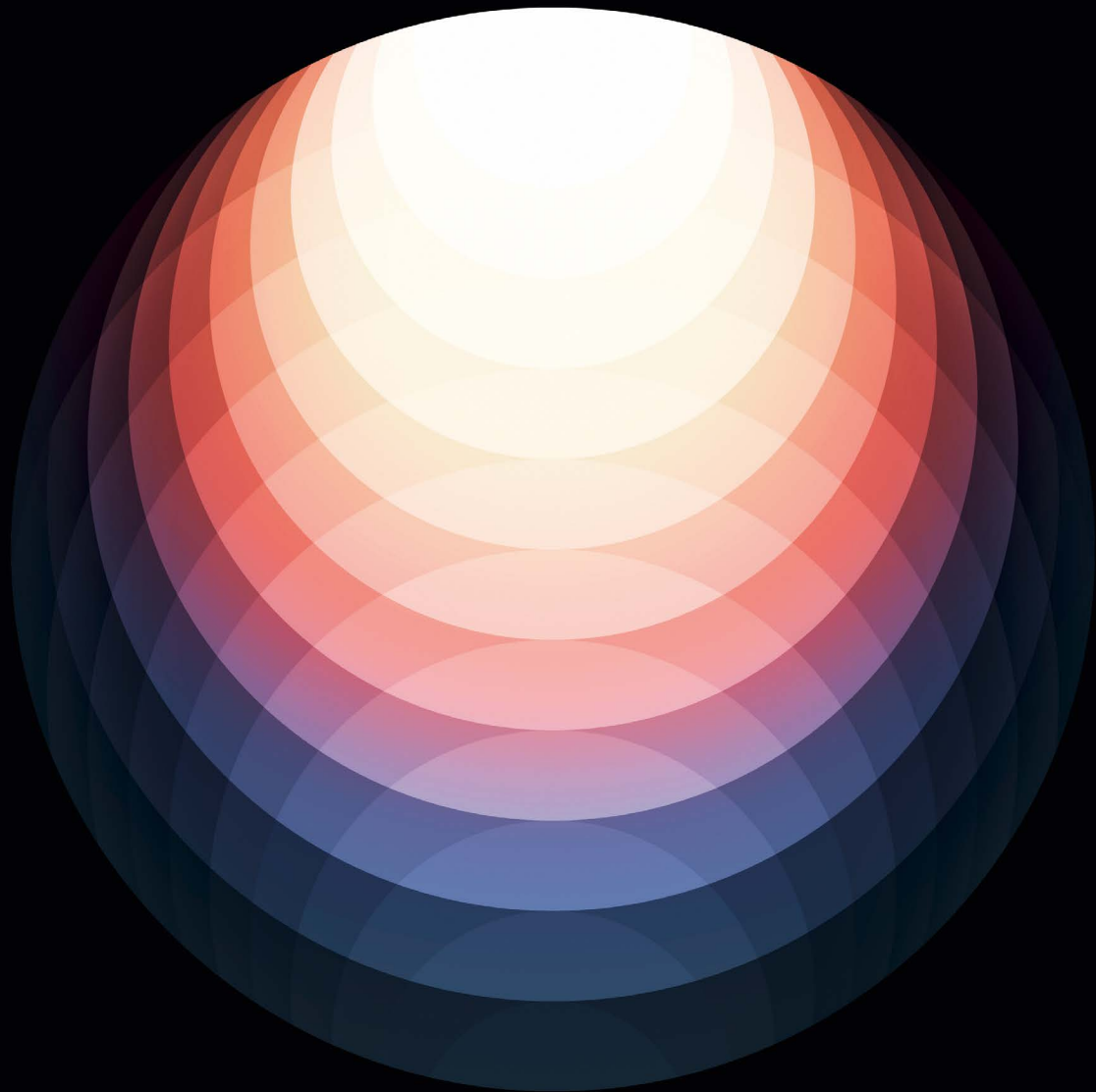


SHARP

LED Lighting



Catalogue 2014

Upgrade to LED Lighting with Sharp



Step 1:
Energy production

1

Solar modules



Day



2

Step 2:
Energy storage

Battery solutions



Evening



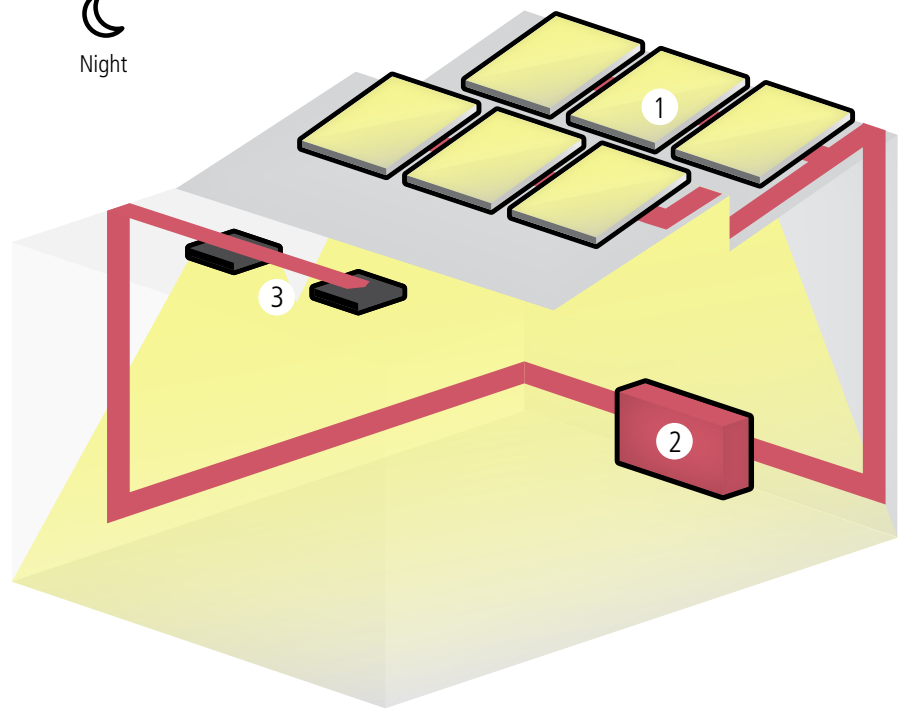
Step 3:
Energy saving

3

LED luminaires



Night



3 Energy Solutions from Sharp

A pioneer in photovoltaic for over 50 years and a leading manufacturer of solar modules, Sharp has proudly installed over 10 million operating PV modules globally delivering a reliable and sustainable energy supply.

Supporting the energy created, our storage solutions provide intelligent energy management and maximum independence from rising electricity prices, as the solar power generated can be used directly, or stored and consumed at a later time.

Further energy saving are offered by our efficient LED Lighting systems. Our LED luminaires combine high quality with maximum efficiency and a very long service life. We have the right products for each area: for production facilities and warehouses, offices, sales outlets and outdoor areas.

With Sharp's comprehensive energy solutions, power generation, power storage and power consumption can be controlled. Money can be saved and our dependency on conventional energy resources can be reduced.



Moisture-proof luminaires

4



High / Low bay luminaires

8



Row luminaires

12



Spots

14



Downlights

18



Panel lights

34



Street lights

46

LED Lighting

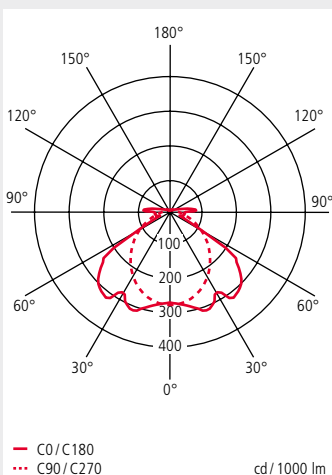


/This is Why TADA

- Outstanding luminous efficiency (up to 103 lm/W)
- Excellent lighting quality with Colour Rendering Index of >80
- 140-162 Mid-Power LEDs
- Robust and secure luminaire preventing foreign objects and water (IP66), impact, vibration and extreme temperatures (-25°C to +35°C)
- Quick installation
- Made in Europe

Photometry

Beam Angle (C0/C90)	114°/90°
Light Source	140-162 Mid-Power LEDs
Luminaire Luminous Flux	4,300 / 4,500 / 5,900 or 6,200 lm
Correlated Colour Temperature (CCT)	4,000 K
Colour Rendering Index (CRI)	> 80
Efficiency	up to 103 lm/W
Glare Rating, UGR (C0/C90)	23.8/24.0 / 25.1/25.3
Optical System	PMMA diffuser



TADA

General

Type	Moisture-proof luminaire
Mounting	Surface-mounted or suspended
Housing Colour	White aluminium
Marking	CE
IP Rating	66
Electrical Protection Class	I
Service Life	50,000 h (L80/B10)
Ambient Temperature	-25° C to +35° C

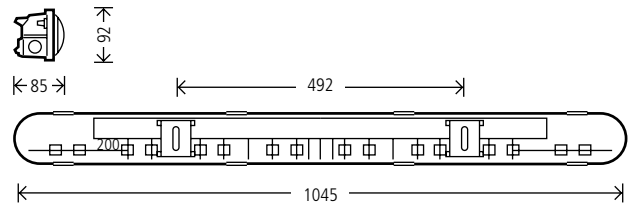
Applications

- production or storage premises
- cold storage rooms
- equipment rooms
- escape tunnels
- car parks
- passageways
- railway, bus and subway stations
- car washes
- petrol stations
- cellars

Versions with polycarbonate (PC) diffuser can as well be used for food industry according to IFS/BRC. The luminaire is not suitable for use in highly corrosive atmospheres, e.g. swimming pools, factory farms or tunnels with extremely aggressive ambient conditions.

Dimensions

Dimensions	1,045 × 92 × 85 mm
Weight	1.85 kg

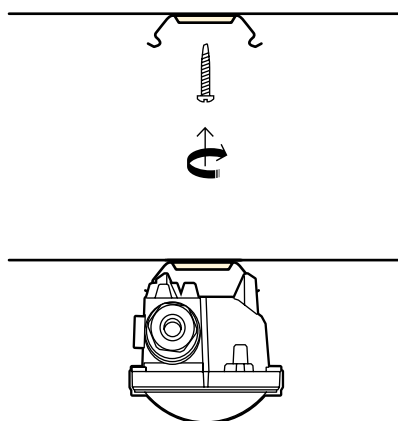


Electrical Specifications

Voltage	220 – 240 V AC
Connected Load	45 W or 60 W
PCB Running Current	700 mA
Frequency	0/50-60 Hz
Driver / Ballast Type	electronic
Dimming / Switching	switchable or dimmable (DALI)
Phase Shift	> 0.98 λ
Emergency Operation	198-278 V DC (Continuous operation) 176 V DC (30 min.)

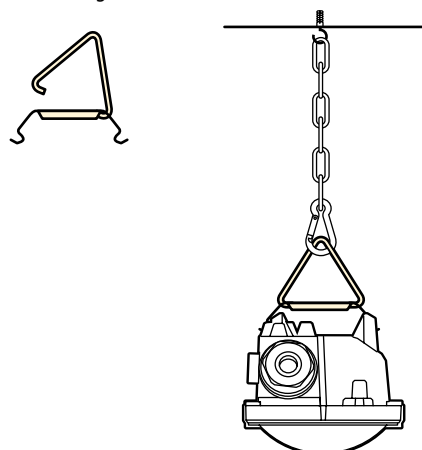
Installation via mounting clips

For ceiling and wall mounting and also for mounting to a support rail



Installation via mounting clips and triangular brackets

for suspended mounting



Luminaire versions

Order Code	Connected Load	Controls	Luminaire Luminous Flux	Efficiency	Wiring	Optical System
MP45S8445S00S1	45 W	Switchable	4,500 lm	100 lm/W	Single wiring	PMMA diffuser
MP45S8445S00T1	45 W	Switchable	4,500 lm	100 lm/W	Through wiring	PMMA diffuser
MP45D8445S00S1	45 W	Dimmable (DALI)	4,500 lm	100 lm/W	Single wiring	PMMA diffuser
MP45D8445S00T1	45 W	Dimmable (DALI)	4,500 lm	100 lm/W	Through wiring	PMMA diffuser
MP60S8462S00S1	60 W	Switchable	6,200 lm	103 lm/W	Single wiring	PMMA diffuser
MP60S8462S00T1	60 W	Switchable	6,200 lm	103 lm/W	Through wiring	PMMA diffuser
MP60D8462S00S1	60 W	Dimmable (DALI)	6,200 lm	103 lm/W	Single wiring	PMMA diffuser
MP60D8462S00T1	60 W	Dimmable (DALI)	6,200 lm	103 lm/W	Through wiring	PMMA diffuser
MP45S8443S00S2	45 W	Switchable	4,300 lm	96 lm/W	Single wiring	PC diffuser
MP45S8443S00T2	45 W	Switchable	4,300 lm	96 lm/W	Through wiring	PC diffuser
MP45D8443S00S2	45 W	Dimmable (DALI)	4,300 lm	96 lm/W	Single wiring	PC diffuser
MP45D8443S00T2	45 W	Dimmable (DALI)	4,300 lm	96 lm/W	Through wiring	PC diffuser
MP60S8459S00S2	60 W	Switchable	5,900 lm	98 lm/W	Single wiring	PC diffuser
MP60S8459S00T2	60 W	Switchable	5,900 lm	98 lm/W	Through wiring	PC diffuser
MP60D8459S00S2	60 W	Dimmable (DALI)	5,900 lm	98 lm/W	Single wiring	PC diffuser
MP60D8459S00T2	60 W	Dimmable (DALI)	5,900 lm	98 lm/W	Through wiring	PC diffuser

Diffuser materials

Polycarbonate (PC)

- UV-stabilised
- Very impact resistant
- Chemical resistance to a limited extent

Polymethylmethacrylate (PMMA)

- 100% UV-resistant
- High chemical resistance
- Impact absorbing

Accessories

MPAATC

Anti-theft system

We reserve the right to make technical and design changes without prior notice.





Moisture-Proof 02

General

Type	Moisture-proof luminaire
Mounting	Ceiling or wall mounting
Housing Colour	grey, similar to RAL 7035
Marking	CE
IP Rating	IP66 (with Wieland connector)
Electrical Protection Class	I
Service Life	50,000 hrs (L70)
Impact Resistance	IK08
Ambient Temperature	-5°C to +35°C

/This is Why

- Housing in injected polycarbonate, with UV filter, integrating two gear holders
- Polyurethane gasket to obtain IP66 rating
- Opal diffuser in polycarbonate with UV protection, manufactured in injection with prismatic design for an optimum light distribution
- IP66 with Wieland connector (standard), IP65 with Adels connector (on request)

Applications

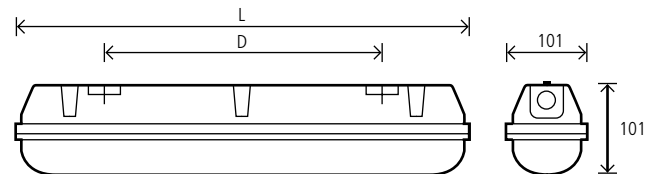
- Standard usage in damp environments and sheltered outdoor areas
- Direct ceiling mounting or mounting with fixing brackets (included)
- Suspended mounting with triangle clamps (included) Suspension with chain or wire (accessories)

Photometry

Beam Angle (C0/C90)	88.6°/127.2°
Light Source	LED
Luminaire Luminous Flux	2,000-5,020 lm
Correlated Colour Temperature (CCT)	4,000 K
Colour Rendering Index (CRI)	> 80
Efficiency	up to 114 lm/W
Glare Rating, UGR (C0/C90)	< 25
Optical System	PC diffuser

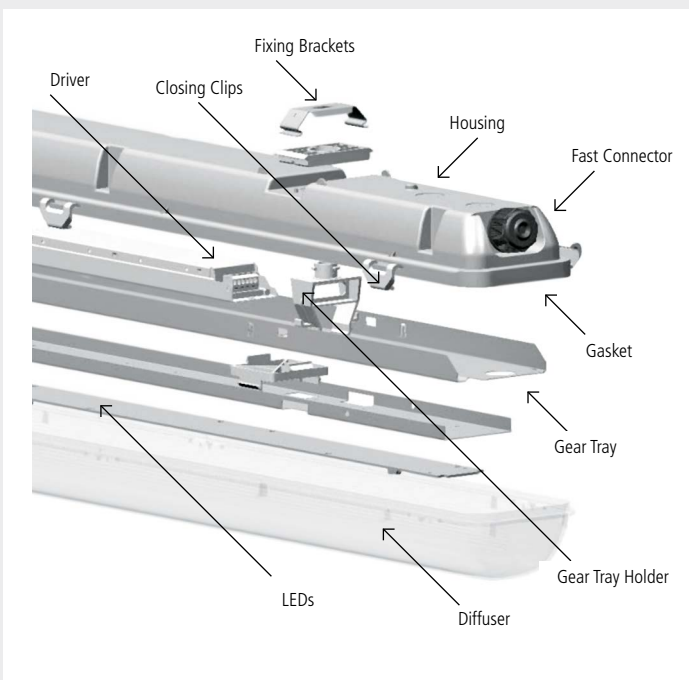
Dimensions

Dimensions	L = 660/1277/1573 x 101 x 101 mm D = 390/800/1100
Weight	1.14 - 2.5 kg

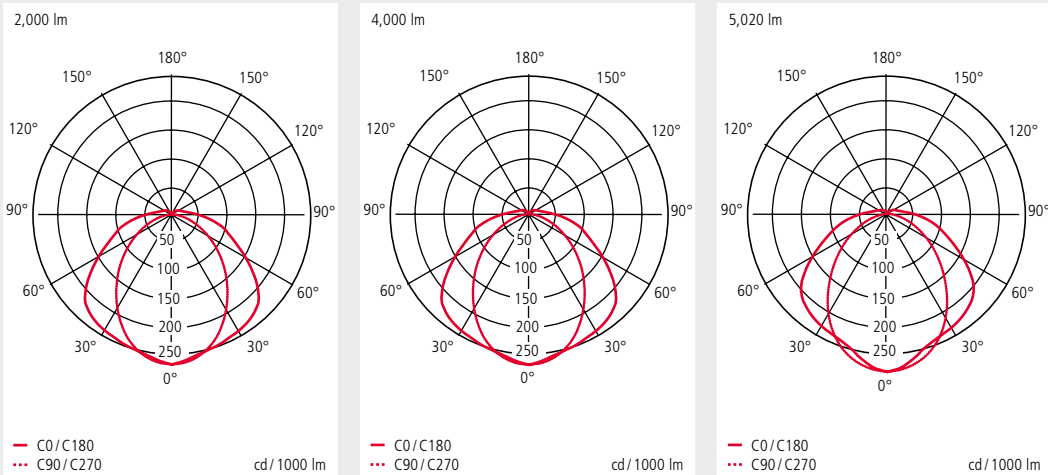


Electrical Specifications

Voltage	220-240 V
Connected Load	21 / 36 / 44 W
PCB Running Current	700 mA
Frequency	0/50-60 Hz
Driver / Ballast Type	electronic
Dimming / Switching	switchable
Phase Shift	< 10%
Emergency Operation	compatible with central batteries



"Sharp Selection" – Sharp Electronics Europe (Ltd) widens the portfolio with products from qualified partners.



Chemical agents resistance: Polycarbonate

Acetic acid 10%	●	Calcium nitrate	●	Ethyl alcohol	●	Methanol	X	Silicon oils	●
Acetone	X	Carbon tetrachloride	X	Ethyl chloride	X	Mineral oils	●	Soda bleach 15%	X
Alcoholic beverages	●	Carbonic acid	X	Ethyl ether	X	Nitric acid 20%	○	Sodium chloride	●
Aluminium sulphate	●	Caustic potash	X	Food oils and fats	X	Oxygen	●	Sodium hydroxide 5%	X
Ammonia 5%	X	Cement	●	Formic acid 10%	●	Ozone	●	Sodium sulphate	●
Aniline	X	Chlorhydric acid 1-5%	●	Glycerine	●	Perchloric acid 10%	●	Sugar	●
Arsenic acid 20%	●	Chlorine liquids	X	Hexane	●	Petrol	X	Sulphur	●
Benzene	X	Chloroform	X	Iodine	X	Phenol	X	Sulphuric acid 30%	●
Bencylic alcohol	X	Chromic acid	○	Iron chloride	●	Potassium bromide	●	Toluene	X
Benzyl	X	Citric acid 20%	●	Isopropyl alcohol	○	Potassium nitrate	●	Trichloroethylene	X
Bromine	X	Copper sulphate	●	Lubricating oil	●	Potassium permanganate	●	Zinc sulphate	●
Calcium Chloride	●	Diesel-naphta oil	○	Magnesium sulphate	●	Sea climate	●		

● Resistant ○ Relatively resistant X Non-resistant

Luminaire versions

Order code	Connected Load	Luminaire Luminous Flux	Efficiency	Length	Weight	Controls	Wiring	Diffuser*	Colour Temperature
MA21S8420G00S2	21 W	2,000 lm	95 lm/W	660 mm	1.1 kg	Switchable	Single wiring	PC	4,000 K
MA36S8440G00S2	36 W	4,000 lm	111 lm/W	1,277 mm	1.8 kg	Switchable	Single wiring	PC	4,000 K
MA44S8450G00S2	44 W	5,020 lm	114 lm/W	1,573 mm	2.3 kg	Switchable	Single wiring	PC	4,000 K
MA21S8420G00T2	21 W	2,000 lm	95 lm/W	660 mm	1.4 kg	Switchable	Through wiring	PC	4,000 K
MA36S8440G00T2	36 W	4,000 lm	111 lm/W	1,277 mm	2.0 kg	Switchable	Through wiring	PC	4,000 K
MA44S8450G00T2	44 W	5,020 lm	114 lm/W	1,573 mm	2.5 kg	Switchable	Through wiring	PC	4,000 K

Accessories

Included	Fixing brackets (ceiling surfaced), triangle clamps (suspended), fastener
On request	Steel wire with hook and fastener (55x6 2m)

We reserve the right to make technical and design changes without prior notice.





KATO L

General

Type	High bay luminaire
Mounting	Surface-mounted or suspended
Housing Colour	White aluminium
Marking	CE
IP Rating	IP66
Electrical Protection Class	I
Service Life	50,000 h (L80/B10)
Ambient Temperature	-30° C to +45° C

/This is Why KATO

- Highly efficient luminaire with up to 104 lm/W
- Available with three beam angles: narrow wide, narrow and extremely narrow
- Robust and secure die-cast aluminium body with integrated cooling ribs and thermally isolated gear box
- Cover of single panel safety glass
- Optical system consisting of PMMA lens optics

Applications

- High rooms with ceiling heights up to 14 meters
- Storage and production premises, exhibition and sports halls (ball impact resistance guard as accessory)
- Cold storage rooms and heated hall ceilings
- Standard use in damp environments and in outdoor areas which are at an ambient temperature of t_a -30°C to +45°C
- With chain suspension (accessory HBAMCS) the luminaire is only suitable for canopied outdoor areas

Photometry

Beam Angle (C0/C90)	Narrow wide, narrow or extremely narrow
Light Source	594 Mid-Power LEDs
Luminaire Luminous Flux	24,000 lm / 21,000 lm
Correlated Colour Temperature (CCT)	4,000 K
Colour Rendering Index (CRI)	> 80
Efficiency	up to 107 lm/W
Glare Rating, UGR (C0/C90)	< 17,6-25,4 / 14,2-26,3
Optical System	PMMA lens optics, single panel glass, clear or satinated

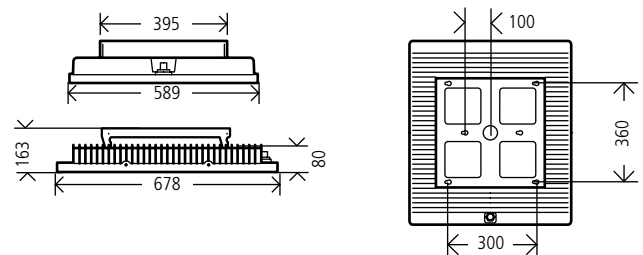
Electrical Specifications

Voltage	220–240 V AC
Connected Load	225 W
PCB Running Current	700 mA
Frequency	50–60 Hz
Driver / Ballast Type	electronic
Dimming / Switching	dimmable (DALI)
Phase Shift	> 0.9 λ
Emergency Operation	No

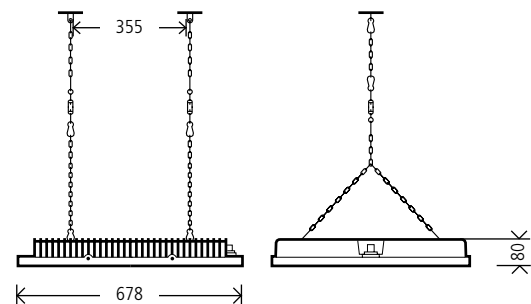
Dimensions

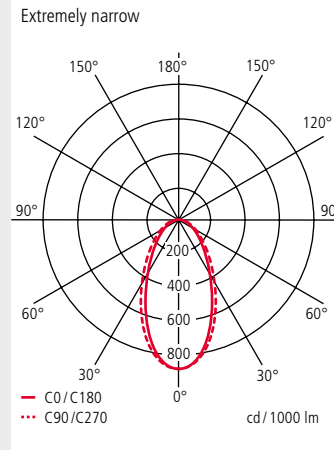
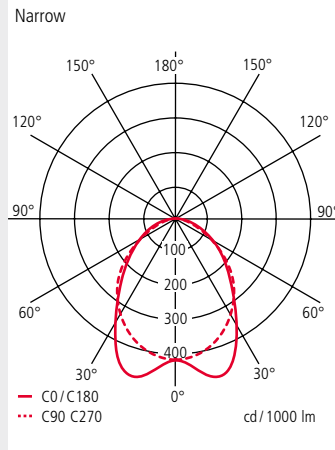
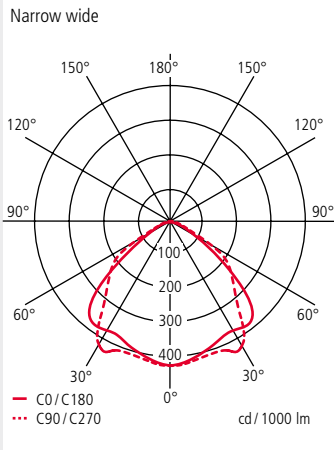
Dimensions	687 × 589 × 80 mm
Weight	25.0 kg

Ceiling mounting plate



Chain suspension





Luminaire versions

Order Code	Beam angle	Connected Load	Luminaire Luminous Flux	Efficiency	Controls	Optical System
HB230D8424NWS3	narrow wide	225 W	24,000 lm	107 lm/W	Dimmable (DALI)	PMMA lens optics, single panel safety glass, clear
HB230D8421NBS3	narrow	225 W	21,000 lm	93 lm/W	Dimmable (DALI)	PMMA lens optics, single panel safety glass, satined
HB230D8424ENS3	extremely narrow	225 W	24,000 lm	107 lm/W	Dimmable (DALI)	PMMA lens optics, single panel safety glass, clear

Accessories

HBAMPC	Ceiling mounting plate, incl. connector
HBAMCS	Chain suspension, incl. connector
LHBR20MCS	Chain extension (20m)
HBAMZS	Guard (ball impact resistance)

We reserve the right to make technical and design changes without prior notice.

5 YEARS
Warranty



with guard HBAMZS



KATO S

General

Type	Low bay luminaire
Mounting	Surface mounted wall mounted or suspended
Housing Colour	White aluminium
Marking	CE
IP Rating	IP66
Electrical Protection Class	I
Service Life	50,000 h (L80/B10)
Ambient Temperature	-25°C to +30°C

/This is Why KATO

- Very high luminous efficiency of 110 lm/W
- Optical system with PMMA lens technology, each LED module has one optical unit
- Quick installation
- Robust and secure preventing foreign objects and water (IP66), impact (IK08 / 6 Joule), vibration and extreme temperatures
- Made in Europe

Applications

- Storage and production premises, exhibition and sports halls (ball impact resistant, except using chain suspension LBAMCS)
- Standard use in damp environments and in outdoor areas which are at an ambient temperature of t_a -25°C to +30°C
- With chain suspension (accessory LBAMCS) the luminaire is only suitable for canopied outdoor areas

Photometry

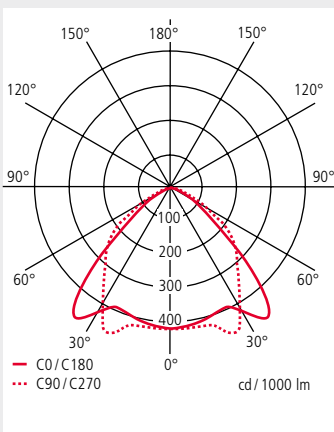
Beam Angle (C0/C90)	93.6°/96.4°
Light Source	264 Mid-Power LEDs
Luminaire Luminous Flux	11,000 lm
Correlated Colour Temperature (CCT)	4,000 K
Colour Rendering Index (CRI)	> 80
Efficiency	110 lm/W
Glare Rating, UGR (C0/C90)	< 25.5/24.7
Optical System	PMMA lens optics, safety glass cover

Dimensions

Dimensions	325 × 325 × 128 mm
Weight	11.1 kg

Electrical Specifications

Voltage	220–240 V AC
Connected Load	100 W
PCB Running Current	700 mA
Frequency	50–60 Hz
Driver / Ballast Type	electronic
Dimming / Switching	switchable or dimmable (DALI)
Phase Shift	> 0.9 λ
Emergency Operation	No



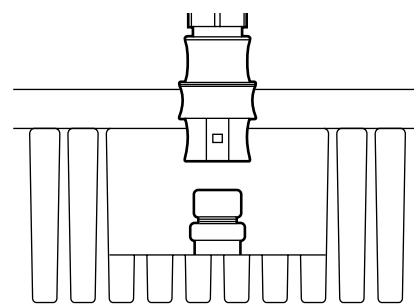
Flexible and quick installation

Installation of the luminaire housing via chain suspension (set), ceiling mounting plate or adjustable wall bracket (see accessories)

Electrical connection

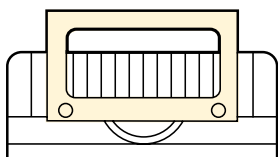
- Plug & Play: Easy connection with Wieland RST connector (available as accessory)
- Single wiring of luminaires
- 3 × 1.5 mm² wiring diameter

Simple connection



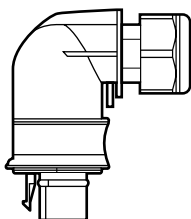
Accessories

Ceiling mounting plate

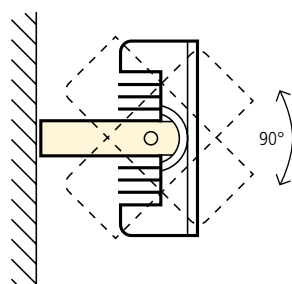


3/5-pole connector (Wieland)

right-angled

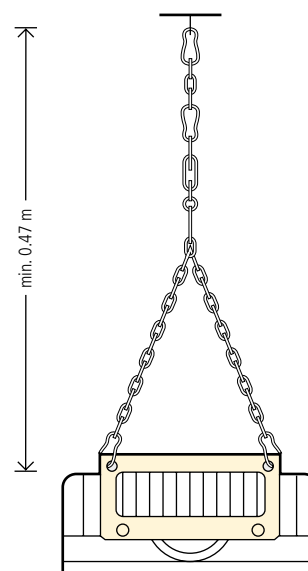


Wall mounting bracket



Chain suspension

Two-point chain suspension in Y-form with turnbuckle (set)



Luminaire versions

Order code	Controls
LB11058411S3	switchable
LB110D8411S3	dimnable (DALI)

Accessories

Order code	Description
LBAMPC	Ceiling mounting plate
LBAMWB	Adjustable wall mounting bracket
LBAMCS	Two-point chain suspension
LHBR20MCS	Chain extension (20m)
LBA203BK90	3-pole connector, right angled (switchable)
LBA205TB90	5-pole connector, right angled (DALI)
LBAMCP	Pole connect bracket

We reserve the right to make technical and design changes without prior notice.





Row luminaire 01

General

Type	Single or row luminaire
Mounting	Surface mounted or suspended
Housing Colour	Silver Grey (white on request)
Marking	CE
IP Rating	IP20
Electrical Protection Class	I
Impact Resistance	IK03 (4.000-13.000 lm), IK02 (19.500 lm)
Service Life	50,000 h (L80/B10)
Ambient Temperature	up to +25°C (54W, 68W) / +35°C (32W, 43W, 108 W)

/This is Why

- Utilisation as single luminaire or for a continuous line system
- Outstanding efficiency with up to 134 lm/W, quick amortisation
- Easy installation and maintenance, flexible length solutions
- Different beam angles, colour temperatures and lumen packages

Applications

- Production facilities
- Storage and exhibition halls
- Sales areas, DIY stores
- Workshops

Photometry

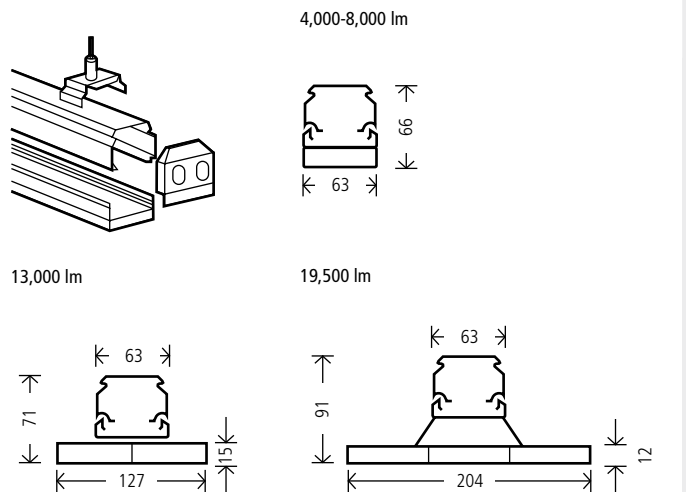
Beam Angle (C0/C90)	wide, narrow wide, narrow or double asymmetric (depending on version)
Light Source	LED
Luminaire Luminous Flux	4,000-19,500 lm
Correlated Colour Temperature (CCT)	3,000 K or 4,000 K
Colour Rendering Index (CRI)	> 80
Efficiency	up to 134 lm/W
Glare Rating, UGR (C0/C90)	depending on version
Optical System	PMMA lens optics

wide narrow wide narrow double asymmetric



Dimensions

Dimensions	1,475 mm Length
Weight (only gear tray)	4,000-8,000 lm: 1.9 kg 13,000 lm: 4,4 kg 19,500 lm: 6,8 kg



Electrical Specifications

Voltage	220-240 V
Connected Load	32 W - 162 W
PCB Running Current	depending on version
Frequency	50-60 Hz
Driver/Ballast Type	4,000-8,000 lm : 1 x electronic 13,000 lm: 2 x electronic 19,500 lm: 3 x electronic
Dimming/Switching	switchable or dimmable (DALI)
Phase Shift	> 0.92 λ
Emergency Operation	Only as additional accessory

Product components (single luminaire)

- LED gear tray
- Trunking (single length)
- End caps (2 x)
- Mounting clamps (2 x)

Customisation

On request a continuous line can be assembled connecting trunkings with single, double or triple length with each other. LED gear trays and blanking units can be staggered according to the application requirements.

Luminaire versions

Connected Load	Kelvin	Beam angle	Luminaire Luminous Flux	Controls
32 W			4,000 lm - 4,300 lm	
43 W	3,000 K 4,000 K	Wide	5,100 lm - 5,600 lm	Switchable Dimmable (DALI)
54 W		Narrow wide	6,100 lm - 6,600 lm	
68 W		Narrow Double asymmetric	8,200 lm - 8,400 lm	
108 W	3,000 K 4,000 K	Wide Narrow wide Narrow Double asymmetric	12,300 - 13,200 lm	Switchable Dimmable (DALI)
162 W	3,000 K 4,000 K	Narrow wide Narrow	19,500 lm 18,900 - 19,900 lm	Switchable Dimmable (DALI)

Accessories

LHBR20MCS	Chain (20m)
-----------	-------------

We reserve the right to make technical and design changes without prior notice.

5 YEARS
Warranty



SHARP
Selection

"Sharp Selection" – Sharp Electronics Europe (Ltd) widens the portfolio with products from qualified partners.

LED Lighting



YUJI

General

Type	Spot
Mounting	Suspended or ceiling surfaced track system
Housing Colour	White aluminium, white or black
Marking	CE
IP Rating	20
Electrical Protection Class	I
Service Life	50,000 hrs. (L70/B50)
Ambient Temperature	-25°C to +35°C

/This is Why YUJI

- Manufactured exclusively for Sharp (unique product design), Sharp ZENIGATA LED chip inside
- Different beam angles, colour temperatures and lumen packages
- Easy refurbishment inside all existing 3-phase tracks due to standardized adapter technology
- Connectable to lighting controls by DALI signal
- Made in Europe

Applications

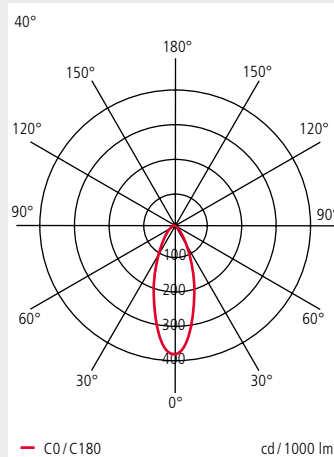
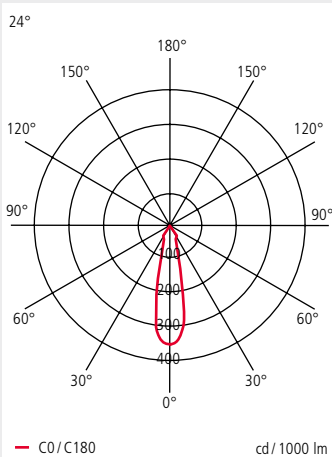
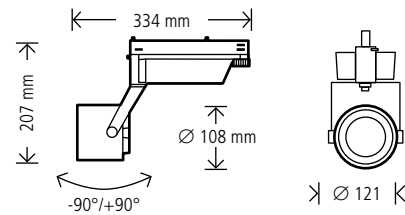
- Retail outlets
- Supermarkets
- Boutiques
- Showrooms
- Receptions
- Museums and galleries

Photometry

Beam Angle (C0/C90)	24° or 40° (60° on request)
Light Source	Sharp Mega ZENIGATA
Luminaire Luminous Flux	1,300 lm - 4,300 lm
Correlated Colour Temperature (CCT)	3,000 or 4,000 K
Colour Rendering Index (CRI)	> 80
Efficiency	up to 89 lm/W
Glare Rating, UGR (C0/C90)	19-22 (depending on version)
Optical System	Reflector (faceted)

Dimensions

Dimensions	121 x 334 x 207 mm
Weight	1.7 kg



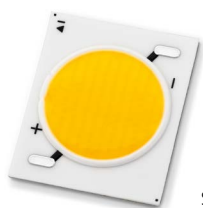
Electrical Specifications

Voltage	220 – 240 V AC
Connected Load	18, 28 or 53 W
PCB Running Current	700 mA
Frequency	50-60 Hz
Driver / Ballast Type	electronic
Dimming / Switching	switchable or dimmable (DALI)
Phase Shift	> 0.95 λ
Emergency Operation	No

Excellent quality and subtle design

- Die cast aluminium housing, powder coated
- Pure aluminium (99.98%) reflector
- Heat sink made of forged aluminium
- Tempered glass diffuser in front of the optical system
- Track box design in line with 3-phase track and identical design of switchable and DALI dimmable version ensures a subtle appearance
- Product development in line with EN 60598 and EN 60570 for track systems

[] SHARP Inside



Sharp ZENIGATA COB technology

Track system

A comprehensive track system for switchable and DALI dimmable luminaires is available. For easy planning of different 3-phase track structures, the following components can be considered as switchable or digital DALI dimmable solutions:

- 3 phase track (2 or 3 m length)
- Feed-in connector at the end
- Feed-in connector in the middle
- Connector (90° or 180°)

The tracks can be easily cut onsite to individual length. A comprehensive portfolio of modules allows a solution for every possible project request.

Flexible installation and high versatility

- Switchable versions fit inside all common European 3 phase track systems (Eutrac, Global, Nordic, Erco, Zumtobel)
- DALI digital dimmable versions are based on the Eutrac 3-phase track system
- Track fixation with double locking system of adaptors on both ends of track box (one lock for fixation and one lock for fixation and choice of phase 1, 2 or 3)
- The track system can be installed suspended or surface-mounted
- The light head can rotate by 355° and is adjustable by +/-90°
- The standard spots are equipped with a flood reflector (24°). A wide flood reflector (40°) is also available
- Reflectors are ordered as accessories and can be changed on-site with a simple bayonet (no tooling necessary)

Luminaire versions

Order Code	Connected Load	Controls	Correlated Colour Temperature	Luminaire Luminous Flux	Housing Colour*	Beam angle
TL18S8313W24S5	18 W	Switchable	3,000 K	1,300 lm	<input type="checkbox"/> White	24°
TL18S8313S24S5	18 W	Switchable	3,000 K	1,300 lm	<input checked="" type="checkbox"/> White aluminium	24°
TL28S8323W24S5	28 W	Switchable	3,000 K	2,300 lm	<input type="checkbox"/> White	24°
TL28S8323S24S5	28 W	Switchable	3,000 K	2,300 lm	<input checked="" type="checkbox"/> White aluminium	24°
TL28D8323W24S5	28 W	Dimmable (DALI)	3,000 K	2,300 lm	<input type="checkbox"/> White	24°
TL28S8425W24S5	28W	Switchable	4,000 K	2,500 lm	<input type="checkbox"/> White	24°
TL28S8425S24S5	28 W	Switchable	4,000 K	2,500 lm	<input checked="" type="checkbox"/> White aluminium	24°
TL53S8340W24S5	53 W	Switchable	3,000 K	4,000 lm	<input type="checkbox"/> White	24°
TL53S8340S24S5	53 W	Switchable	3,000 K	4,000 lm	<input checked="" type="checkbox"/> White aluminium	24°
TL53D8340W24S5	53 W	Dimmable	3,000 K	4,000 lm	<input type="checkbox"/> White	24°
TL53S8443W24S5	53 W	Switchable	4,000 K	4,300 lm	<input type="checkbox"/> White	24°
TL53S8443S24S5	53 W	Switchable	4,000 K	4,300 lm	<input checked="" type="checkbox"/> White aluminium	24°
TL53D8443W24S5	53 W	Dimmable	4,000 K	4,300 lm	<input type="checkbox"/> White	24°

Other versions are available on request: black housing colour, 40° beam angle, etc.

Tunable White version with Sharp Tiger ZENIGATA will be available soon.

* Housing Colour: White = similar to RAL 9010, White aluminium = similar to RAL 9006, Black = similar to RAL 9005

Accessories

Order Code	Description
DMTL00000W2405	Exchangeable reflector, 24°, white
DMTL00000W4005	Exchangeable reflector, 40°, white
DMTL00000S2405	Exchangeable reflector, 24°, white aluminium
DMTL00000S4005	Exchangeable reflector, 40°, white aluminium

Sharp also offers a comprehensive 3-phase track system.



"Sharp Selection" – Sharp Electronics Europe (Ltd) widens the portfolio with products from qualified partners.

We reserve the right to make technical and design changes without prior notice.

5 YEARS
Warranty



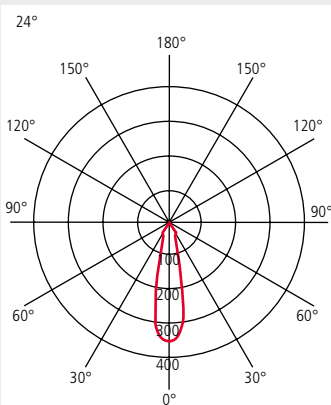


/This is Why HAYU

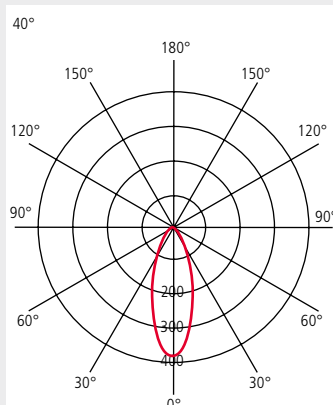
- Manufactured exclusively for Sharp (unique product design), Sharp ZENIGATA LED chip inside
- Luminaire can be used as downlight or as spotlight
- Different beam angles, colour temperatures and lumen packages
- Connectable to lighting controls by DALI signal
- Subtle design
- Made in Europe

Photometry

Beam Angle (C0/C90)	24° or 40° (60° on request)
Light Source	Sharp Mega ZENIGATA
Luminaire Luminous Flux	1,300 lm - 4,300 lm
Correlated Colour Temperature (CCT)	3,000 or 4,000 K
Colour Rendering Index (CRI)	> 80
Efficiency	up to 89 lm/W
Glare Rating, UGR (C0/C90)	19-21 (depending on version)
Optical System	Reflector (faceted)



— C0/C180 cd / 1000 lm



— C0/C180 cd / 1000 lm



Sharp ZENIGATA COB technology

HAYU

Cut-out: 195 mm

General

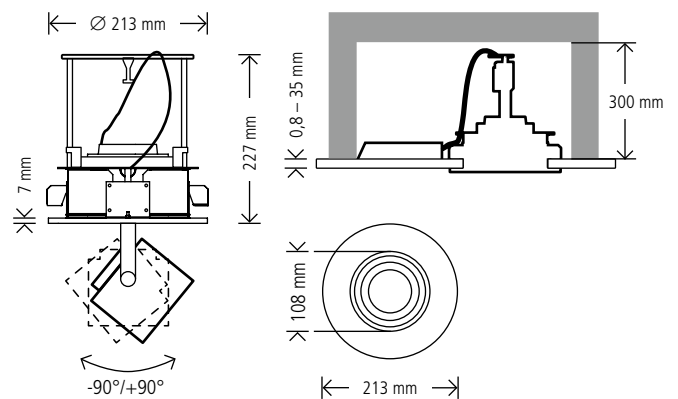
Type	Downlight + Spot (2 in 1)
Mounting	Ceiling recessed
Housing Colour	White or white aluminium
Marking	CE
IP Rating	20
Electrical Protection Class	II
Service Life	50,000 hrs. (L70/B50)
Ambient Temperature	-20°C to +35°C

Applications

- Retail outlets
- Supermarkets
- Boutiques
- Showrooms
- Receptions
- Museums and galleries
- Corridors and staircases
- Small office areas

Dimensions

Dimensions	Ø 213 x 227 mm
Ceiling Cut-Out	Ø 195 mm
Ceiling Thickness Range	0.8 - 35 mm
Recess Depth	260 mm
Weight	3.1 kg



Electrical Specifications

Voltage	220 – 240 V AC
Connected Load	18, 28 or 53 W
PCB Running Current	700 mA
Frequency	50-60 Hz
Driver / Ballast Type	electronic
Dimming / Switching	switchable or dimmable (DALI)
Phase Shift	> 0.9 λ
Emergency Operation	No

Excellent quality and subtle design

- Housing made of die cast aluminium powder coated in white or white aluminium
- Highly reflective pure aluminium (99.98%) reflector ensuring high system efficiency and best possible glare control
- Heat sink made of forged aluminium, integrated into the cylindrical LED light head
- The tempered glass diffuser in front of the optical system ensures protection of COB during installation and cleaning as well as an even distribution of the light beam
- Subtle trim design for integration into the ceiling
- Sharp luminaires HAYU and YUJI can be combined perfectly due to the identical light head design

High versatility

- The luminaire can be used as either a downlight or a spotlight. Therefore the lighting design can be quickly and easily changed to create different moods and environments
- The light head can rotate inside the outer trim by 355° and is adjustable by +/-90°
- The standard spots are equipped with a flood reflector (24°). A wide flood reflector (40°) is also available
- Reflectors are ordered as accessories and can be changed on-site with a simple bayonet (no tooling necessary)
- Connectable to lighting controls by DALI signal for comprehensive lighting design solutions

Easy replacement and quick installation

- Simple replacement due to the standard ceiling cut-out diameter of 195 mm
- Fixation inside ceilings with a thickness ranging from 0.8 mm (metal ceilings) to 35 mm with three levers
- Independent driver for every product (switchable or dimmable version) fixed to the light head with a 500 mm connection cable
- Product height of 227 mm and recess depth of min. 300 mm



Luminaire versions

Order Code	Connected Load	Controls	Correlated Colour Temperature	Luminaire Luminous Flux	Housing Colour*	Beam angle
DM18D8313W24S5	18 W	Dimmable (DALI)	3,000 K	1,300 lm	<input type="checkbox"/> White	24°
DM28S8323W24S5	28 W	Switchable	3,000 K	2,300 lm	<input type="checkbox"/> White	24°
DM28S8323S24S5	28 W	Switchable	3,000 K	2,300 lm	<input checked="" type="checkbox"/> White aluminium	24°
DM28S8425W24S5	28 W	Switchable	4,000 K	2,500 lm	<input type="checkbox"/> White	24°
DM28S8425S24S5	28 W	Switchable	4,000 K	2,500 lm	<input checked="" type="checkbox"/> White aluminium	24°
DM53S8340W24S5	53 W	Switchable	3,000 K	4,000 lm	<input type="checkbox"/> White	24°
DM53D8340W24S5	53 W	Dimmable (DALI)	3,000 K	4,000 lm	<input type="checkbox"/> White	24°

Other versions are available on request: 40° beam angle, etc.

* Housing Colour: White = similar to RAL 9010, White aluminium = similar to RAL 9006

Accessories

Order Code	Description
DMTL00000W2405	Exchangeable reflector, 24°, white
DMTL00000W4005	Exchangeable reflector, 40°, white
DMTL00000S2405	Exchangeable reflector, 24°, white aluminium
DMTL00000S4005	Exchangeable reflector, 40°, white aluminium



"Sharp Selection" – Sharp Electronics Europe (Ltd) widens the portfolio with products from qualified partners.

We reserve the right to make technical and design changes without prior notice.

5 YEARS
Warranty



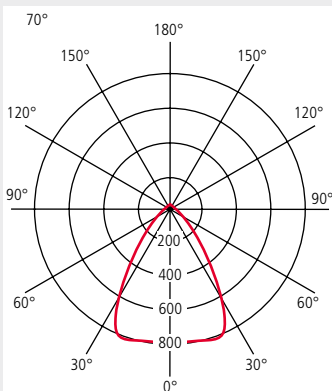


/This is Why YUNA

- Manufactured exclusively for Sharp (unique product design), Sharp ZENIGATA LED chip inside
- Easy replacement (standard ceiling cut-out)
- Typical replacement for compact fluorescent lamps 18W, 26W (switchable, dimmable) and downlights 32 W (switchable) with single and double lamp
- Protected optical system for installation and cleaning
- Connectable to lighting controls by DALI signal
- Driver working with 0/50-60 Hz

Photometry

Beam Angle (C0/C90)	70°
Light Source	Sharp Mega ZENIGATA
Luminaire Luminous Flux	1,050 lm - 1,900 lm
Correlated Colour Temperature (CCT)	3,000 K or 4,000 K
Colour Rendering Index (CRI)	> 80
Efficiency	up to 68 lm/W
Glare Rating, UGR (C0/C90)	17-19 (depending on version)
Optical System	Reflector (smooth)



— C0/C180
 ... C90/C270

cd / 1000 lm

**[] SHARP
 Inside**



Sharp ZENIGATA COB technology

YUNA

Cut-out: 150 mm

General

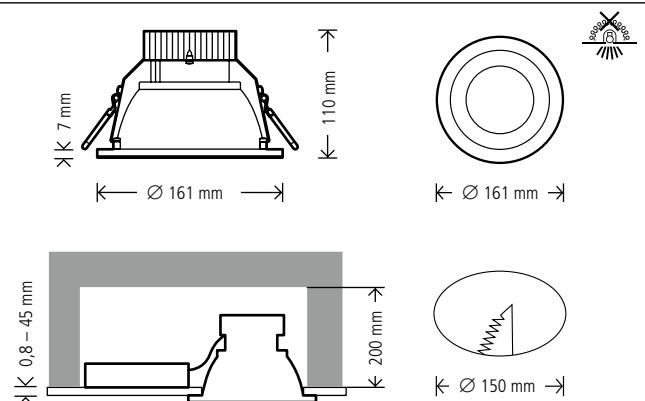
Type	Downlight
Mounting	Ceiling recessed
Housing Colour	White
Marking	CE
IP Rating	IP 44 (below the ceiling)
Electrical Protection Class	II
Service Life	50,000 hrs. (L70/B50)
Ambient Temperature	-20°C to +35°C

Applications

- Shopping centres and retail outlets
- Receptions
- Corridors and staircases
- Public conveniences and hotel bathrooms
- Small office areas
- Technical and server rooms
- Supermarkets
- Boutiques
- Showrooms
- Museums and galleries

Dimensions

Dimensions	Ø 161x110 mm
Ceiling Cut-Out	Ø 150 mm
Ceiling Thickness Range	1 - 42 mm
Recess Depth	200 mm
Weight	0.6 kg



Electrical Specifications

Voltage	220 – 240 V AC
Connected Load	18 or 28 W
PCB Running Current	400 mA
Frequency	0/50-60 Hz
Driver / Ballast Type	electronic
Dimming / Switching	switchable or dimmable (DALI)
Phase Shift	> 0.9 λ
Emergency Operation	186-250 V DC (on request)

Easy replacement and quick installation

- Easy replacement due to standard ceiling cut-out diameter of 150 mm
- Fixation inside ceilings with a thickness from 0.8 mm (metal ceilings) to 45 mm by two stainless steel springs with rubber sleeves
- Independent driver for every single downlight (switchable or dimmable version) fixed to the light head with a 500 mm connection cable
- Driver working with 0/50/60 Hz, allowing also connection to centralized emergency systems
- Product height of 110 mm and recess depth of min. 200 mm
- Protection of optical system during installation and cleaning by diffuser

Luminaire versions

Order Code	Connected Load	Controls	Correlated Colour Temperature	Luminaire Luminous Flux	Housing Colour*	Beam angle
DL18S8310W70S4	18 W	Switchable	3,000 K	1,050 lm	<input type="checkbox"/> White	70°
DL18D8310W70S4	18 W	Dimmable (DALI)	3,000 K	1,050 lm	<input type="checkbox"/> White	70°
DL18S8411W70S4	18 W	Switchable	4,000 K	1,150 lm	<input type="checkbox"/> White	70°
DL18D8411W70S4	18 W	Dimmable (DALI)	4,000 K	1,150 lm	<input type="checkbox"/> White	70°
DL28S8318W70S4	28 W	Switchable	3,000 K	1,800 lm	<input type="checkbox"/> White	70°
DL28D8318W70S4	28 W	Dimmable (DALI)	3,000 K	1,800 lm	<input type="checkbox"/> White	70°
DL28S8419W70S4	28 W	Switchable	4,000 K	1,900 lm	<input type="checkbox"/> White	70°
DL28D8419W70S4	28 W	Dimmable (DALI)	4,000 K	1,900 lm	<input type="checkbox"/> White	70°

Other versions are available on request: emergency lighting, etc. * Housing Colour: White = similar to RAL 9010

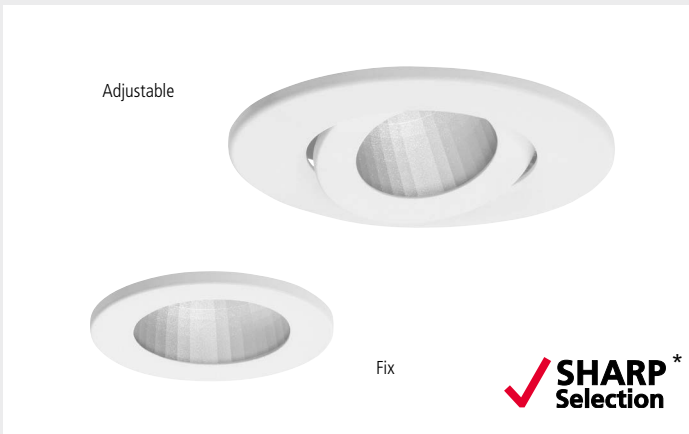
We reserve the right to make technical and design changes without prior notice.

5 YEARS
Warranty



SHARP
Selection

"Sharp Selection" – Sharp Electronics Europe (Ltd) widens the portfolio with products from qualified partners.



Downlight 02

Cut-out: 60 mm Fix, 105 mm Adjustable

General

Type	Downlight
Mounting	Ceiling recessed
Housing Colour	White RAL 9003 (other colours on request)
Marking	CE
IP Rating	20
Electrical Protection Class	II
Service Life	50,000 hrs. (L70)
Ambient Temperature	up to +35°C

/This is Why Downlight 01

- Typical replacement for 50 W halogen lamps
- High efficiency with up to 73 lm/W
- Very good glare control with UGR < 16
- Lighting quality with Colour Rendering of > 80 Ra
- Housing and trim: sheet steel, reflector: anodized aluminium
- Passive thermal management

Applications

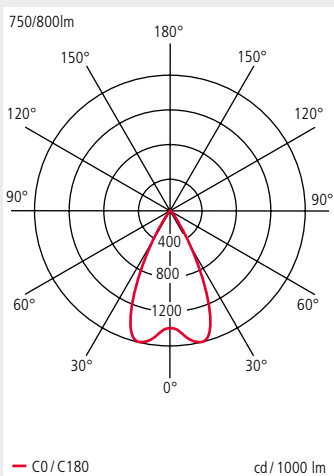
- Shops
- Hypermarkets
- Boutiques
- Museums
- Galleries
- Showrooms
- Shop windows
- Shelves
- Areas with accent lighting

Photometry

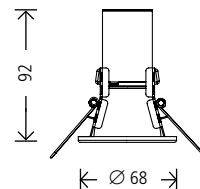
Beam Angle (C0/C90)	50°
Light Source	LED
Luminaire Luminous Flux	750/800 lm
Correlated Colour Temperature (CCT)	3,000 or 4,000 K
Colour Rendering Index (CRI)	> 80
Efficiency	up to 73 lm/W
Glare Rating, UGR (C0/C90)	< 16
Optical System	Facet reflector

Dimensions

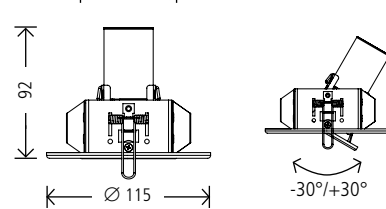
Dimensions	Fix/Adjustable: Ø 68/115 mm
Ceiling Cut-Out	Fix/Adjustable: Ø 60/105 mm
Ceiling Thickness Range	0,8-30 mm
Recess Depth	110 mm
Weight	Fix/Adjustable: 0,3/0,4 kg



Fix



Adjustable

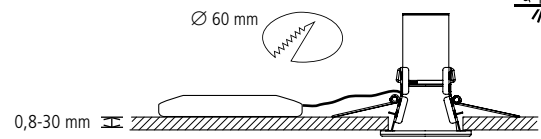


Electrical Specifications

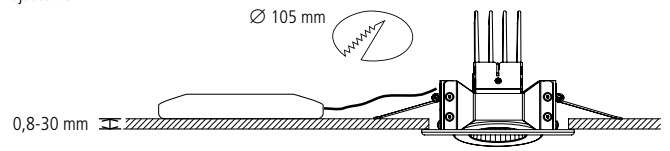
Voltage	220-240 V AC
Connected Load	11 W
PCB Running Current	300 mA
Frequency	50-60 Hz
Driver / Ballast Type	electronic
Dimming / Switching	switchable or DALI dimmable
Phase Shift	> 0.5/0.9 λ (switchable/DALI)
Emergency Operation	No



Fix



Adjustable



Light head	Correlated Colour Temperature	Controls	Connected Load	Luminaire Luminous Flux	Beam angle
Fix	3,000 K	Switchable	11 W	750 lm	50°
Fix	4,000 K	Switchable	11 W	800 lm	50°
Fix	3,000 K	Dimmable (DALI)	11 W	750 lm	50°
Fix	4,000 K	Dimmable (DALI)	11 W	800 lm	50°
Adjustable	3,000 K	Switchable	11 W	750 lm	50°
Adjustable	4,000 K	Switchable	11 W	800 lm	50°
Adjustable	3,000 K	Dimmable (DALI)	11 W	750 lm	50°
Adjustable	4,000 K	Dimmable (DALI)	11 W	800 lm	50°

We reserve the right to make technical and design changes without prior notice.

5 YEARS
Warranty



SHARP
Selection

"Sharp Selection" – Sharp Electronics Europe (Ltd) widens the portfolio with products from qualified partners.



Downlight 03

Cut-out: 145 mm

General

Type	Downlight
Mounting	Recessed
Housing Colour	White (similar to RAL 9016)
Marking	CE
IP Rating	IP20
Electrical Protection Class	I
Service Life	35,000 hrs. (LM80)
Ambient Temperature	0°C to +40°C

/This is Why

- High efficiency for energy saving
- Typical replacement for TC-T 1x26W
- Aluminium body, plastic frame and diffuser

Applications

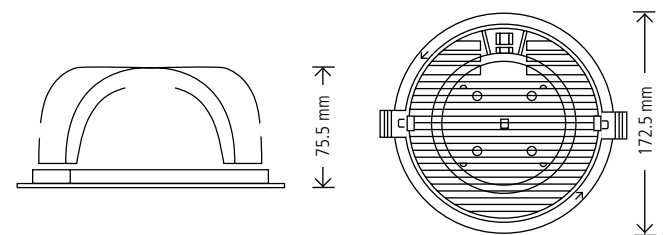
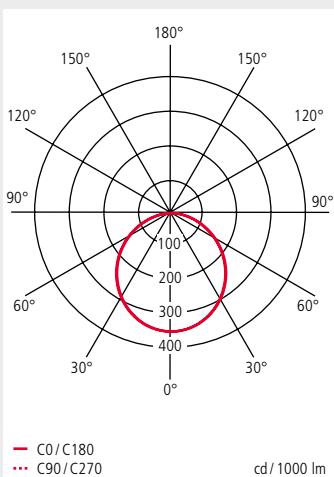
- Commercial
- Office
- Hospitality
- Education
- Retail/Shops

Photometry

Beam Angle (C0/C90)	110° (diffused)
Light Source	LED
Luminaire Luminous Flux	1,150 lm
Correlated Colour Temperature (CCT)	3,000 K or 4,000 K
Colour Rendering Index (CRI)	> 80
Efficiency	79 lm/W
Glare Rating, UGR (C0/C90)	<19
Optical System	PMMA sheet diffuser

Dimensions

Dimensions	Ø 172.5 x 75.5 mm
Ceiling Cut-Out	Ø 145 mm
Ceiling Thickness Range	1-25 mm
Recess Depth	85.5 mm
Weight	0,71 kg



Electrical Specifications

Voltage	220-240 V AC
Connected Load	14.5 W
PCB Running Current	500 mA
Frequency	50-60 Hz
Driver / Ballast Type	Electronic, constant current
Dimming / Switching	1-10 Volt
Phase Shift	> 0.9 λ
Emergency Operation	On request



Luminaire versions

Connected Load	Correlated Colour Temperature	Luminaire Luminous Flux	Controls	Beam angle
14.5 W	3,000 K	1,150 lm	1-10 Volt	110°
14.5 W	4,000 K	1,150 lm	1-10 Volt	110°

We reserve the right to make technical and design changes without prior notice.

3 YEARS
Warranty



On request



"Sharp Selection" – Sharp Electronics Europe (Ltd) widens the portfolio with products from qualified partners.



Downlight 04

Cut-out: 197 mm

General

Type	Downlight
Mounting	Recessed
Housing Colour	White (similar to RAL 9016)
Marking	CE
IP Rating	IP20
Electrical Protection Class	I
Service Life	35,000 hrs. (LM80)
Ambient Temperature	0°C to +40°C

/This is Why

- High efficiency for energy saving
- Typical replacement for TC-T 1x32W
- Aluminium body, plastic frame and diffuser

Applications

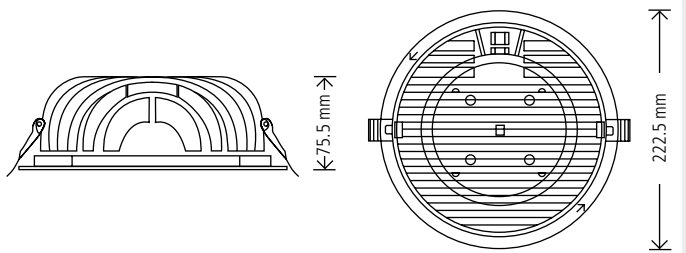
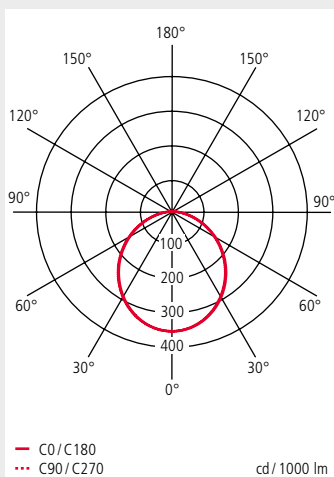
- Commercial
- Office
- Hospitality
- Education
- Retail/Shops

Photometry

Beam Angle (C0/C90)	110° (diffused)
Light Source	LED
Luminaire Luminous Flux	1,800 lm / 1,900 lm
Correlated Colour Temperature (CCT)	3,000 or 4,000 K
Colour Rendering Index (CRI)	> 80
Efficiency	up to 88 lm/W
Glare Rating, UGR (C0/C90)	<19
Optical System	PMMA sheet diffuser

Dimensions

Dimensions	Ø 222.5 x 75.5 mm
Ceiling Cut-Out	Ø 197 mm
Ceiling Thickness Range	1-25 mm
Recess Depth	85.5 mm
Weight	1.1 kg



Electrical Specifications

Voltage	220-240 V AC
Connected Load	21.5 W
PCB Running Current	500 mA
Frequency	50-60 Hz
Driver / Ballast Type	Electronic, constant current
Dimming / Switching	1-10 Volt
Phase Shift	> 0.9 λ
Emergency Operation	On request



Luminaire versions

Connected Load	Correlated Colour Temperature	Luminaire Luminous Flux	Efficiency	Controls	Beam angle
21.5 W	3,000 K	1,800 lm	83 lm/W	1-10 Volt	110°
21.5 W	4,000 K	1,900 lm	88 lm/W	1-10 Volt	110°

We reserve the right to make technical and design changes without prior notice.

3 YEARS
Warranty



On request



"Sharp Selection" – Sharp Electronics Europe (Ltd) widens the portfolio with products from qualified partners.

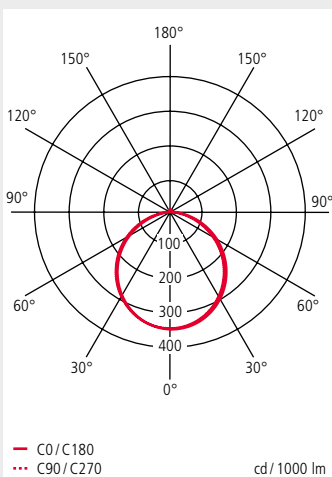


/This is Why

- High efficiency for energy saving
- Typical replacement for TC-T 1x18W
- Aluminium body, plastic frame and diffuser
- Extremely thin product design for low ceilings

Photometry

Beam Angle (C0/C90)	120° (diffused)
Light Source	LED
Luminaire Luminous Flux	660 lm / 750 lm
Correlated Colour Temperature (CCT)	3,000 K / 4,000 K
Colour Rendering Index (CRI)	> 80
Efficiency	73 lm/W / 83 lm/W
Glare Rating, UGR (C0/C90)	<19
Optical System	PMMA sheet diffuser



Downlight 05

Cut-out: 180 mm, ultra slim

General

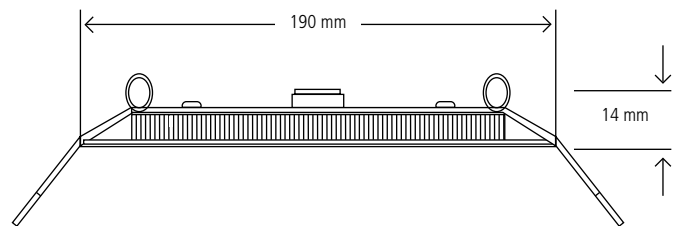
Type	Downlight
Mounting	Recessed
Housing Colour	White (similar to RAL 9016)
Marking	CE
IP Rating	IP20
Electrical Protection Class	I
Service Life	35,000 hrs. (LM80)
Ambient Temperature	0°C to +40°C

Applications

- Commercial
- Office
- Hospitality
- Education
- Retail/Shops

Dimensions

Dimensions	∅ 190 x 14 mm
Ceiling Cut-Out	∅ 180 mm
Ceiling Thickness Range	1-25 mm
Recess Depth	24 mm
Weight	0.41 kg



Electrical Specifications

Voltage	220-240 V AC
Connected Load	9 W
PCB Running Current	700 mA
Frequency	50-60 Hz
Driver / Ballast Type	Electronic, constant current
Dimming / Switching	1-10 Volt
Phase Shift	> 0.9 λ
Emergency Operation	On request



Luminaire versions

Connected Load	Correlated Colour Temperature	Luminaire Luminous Flux	Efficiency	Controls	Beam angle
9 W	3,000 K	660 lm	73 lm/W	1-10 Volt	120°
9 W	4,000 K	750 lm	83 lm/W	1-10 Volt	120°

We reserve the right to make technical and design changes without prior notice.

3 YEARS
Warranty



On request



"Sharp Selection" – Sharp Electronics Europe (Ltd) widens the portfolio with products from qualified partners.



Downlight 06

Cut-out: 240 mm, ultra slim

General

Type	Downlight
Mounting	Recessed
Housing Colour	White (similar to RAL 9016)
Marking	CE
IP Rating	IP20
Electrical Protection Class	I
Service Life	35,000 hrs. (LM80)
Ambient Temperature	0°C to +40°C

/This is Why

- High efficiency for energy saving
- Typical replacement for TC-T 1x26W / 2x18W
- Aluminium body, plastic frame and diffuser
- Extremely thin product design for low ceilings

Applications

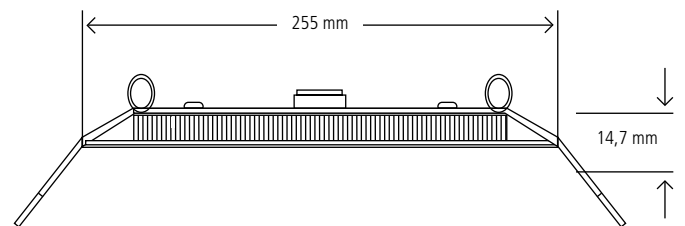
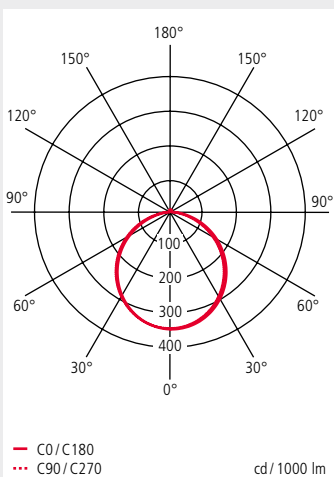
- Commercial
- Office
- Hospitality
- Education
- Retail/Shops

Photometry

Beam Angle (C0/C90)	107° (diffused)
Light Source	LED
Luminaire Luminous Flux	1,200 lm / 1,350 lm
Correlated Colour Temperature (CCT)	3,000 K / 4,000 K
Colour Rendering Index (CRI)	> 80
Efficiency	67 lm/W / 75 lm/W
Glare Rating, UGR (C0/C90)	<19
Optical System	PMMA sheet diffuser

Dimensions

Dimensions	Ø 255 x 14.7 mm
Ceiling Cut-Out	Ø 240 mm
Ceiling Thickness Range	1-25 mm
Recess Depth	24.7 mm
Weight	0.68 kg



Electrical Specifications

Voltage	220-240 V AC
Connected Load	18 W
PCB Running Current	700 mA
Frequency	50-60 Hz
Driver / Ballast Type	Electronic, constant current
Dimming / Switching	1-10 Volt
Phase Shift	> 0.9 λ
Emergency Operation	On request

Luminaire versions

Connected Load	Correlated Colour Temperature	Luminaire Luminous Flux	Efficiency	Controls	Beam angle
18 W	3,000 K	1,200 lm	67 lm/W	1-10 Volt	120°
18 W	4,000 K	1,350 lm	75 lm/W	1-10 Volt	120°

We reserve the right to make technical and design changes without prior notice.

3 YEARS
Warranty



IP20



On request



"Sharp Selection" – Sharp Electronics Europe (Ltd) widens the portfolio with products from qualified partners.



/This is Why

- Sharp Mini and Mega ZENIGATA LED chip (COB) for very good lighting quality and high efficiency
- Housing / trim and heat sink made of powder-coated die-cast aluminium
- Front trim in grey (similar to RAL 9006) as accessory, exchangeable without tools
- Easy installation with mounting springs with rubberized coating to prevent scratches or cracks
- Reflector made of anodised pure steel aluminium (99.98%)
- Exchangeable reflectors for replacement on site without tools
- 230 V versions incl. permanently attached, strain relieved throw-in ballast and 500mm cable on the secondary side
- Primary-side contact with one cable, single wire diameter 1.5mm² and 2.5 mm²
- Protected optical system, easy cleaning of the cover glass

Photometry

Beam Angle (C0/C90)	70° (standard), 40° exchangeable reflector (accessory)
Light Source	Sharp Mini or Mega ZENIGATA COB
Luminaire Luminous Flux	Size 1: 1,280-2,390 lm Size 2: 3,070-3,230 lm
Correlated Colour Temperature (CCT)	3,000 or 4,000 K
Colour Rendering Index (CRI)	> 80
Efficiency	up to 91 lm/W
Glare Rating, UGR (C0/C90)	< 19
Optical System	Aluminium reflector



Sharp ZENIGATA COB technology

Downlight 07

Cut-out: 125 mm Size 1, 150 mm Size 2

General

Type	Downlight
Mounting	Ceiling recessed
Housing Colour	White, Grey optional (sim. to RAL 9010, 9006)
Marking	CE (light head), ENEC (ballast)
IP Rating	IP44 (below the ceiling)
Electrical Protection Class	II
Service Life	50,000 hrs. (L70/B50)
Ambient Temperature	-20°C to + 40°C

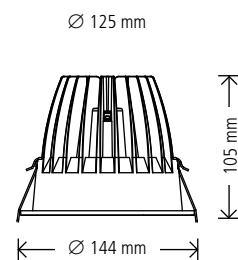
Applications

- Hotel rooms
- Bar / Restaurant
- Residential
- Nursing homes / senior residences
- Washrooms / changing areas
- Offices
- Treatment rooms / waiting rooms in clinics
- Shop / Retail
- Illumination of display cases and shelves

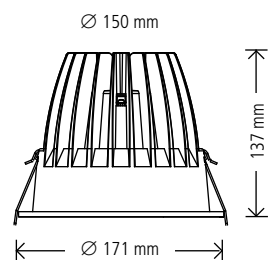
Dimensions

	Size 1	Size 2
Dimensions	Ø 144x105 mm	Ø 171x137 mm
Ceiling Cut-Out	Ø 125 mm	Ø 150 mm
Ceiling Thickness Range	1-25 mm	
Recess Depth	110 mm	142 mm
Weight	0.65 kg	1.26 kg

Size 1

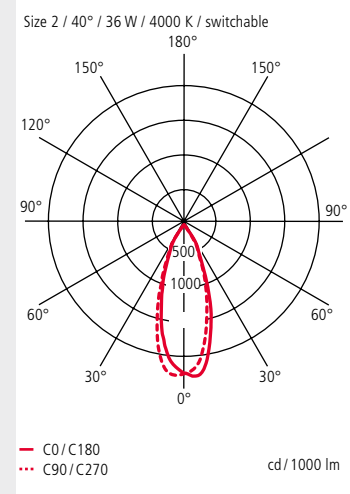
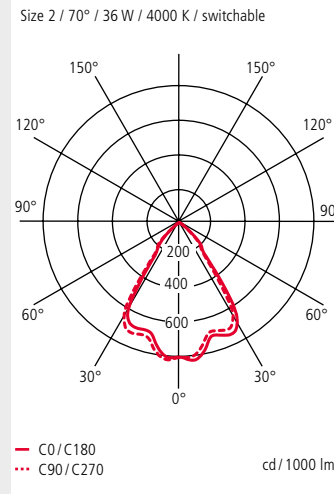
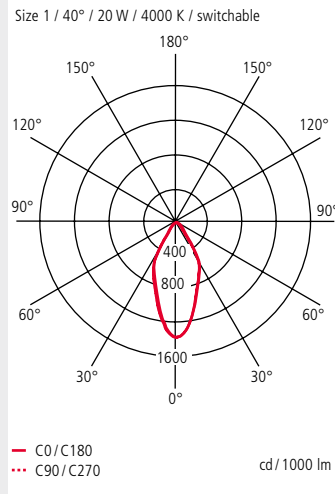
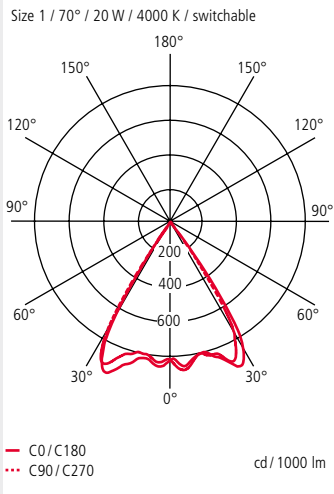


Size 2



Electrical Specifications

Voltage	230 V AC
Connected Load	Size 1: 20 W, 27 W Size 2: 36 W
PCB Running Current	500, 700, 900 mA
Frequency	50-60 Hz (0Hz with DALI)
Driver / Ballast Type	electronic
Dimming / Switching	switchable or DALI dimmable
Phase Shift	> 0.9 λ
Emergency Operation	186-250 V DC (with DALI)



Luminaire versions

Order code	Size	Connected Load	Luminaire Luminous Flux	Efficiency	Colour Temperature	Controls	Housing Colour	Ballast
MGL1000	1	20 W	1,280 lm	64 lm/W	3,000 K	Switchable	White	20W, 500mA
MGL1001	1	20 W	1,380 lm	69 lm/W	4,000 K	Switchable	White	20W, 500mA
MGL1002	1	27 W	2,260 lm	84 lm/W	3,000 K	Switchable	White	35W, 700mA
MGL1003	1	27 W	2,390 lm	89 lm/W	4,000 K	Switchable	White	35W, 700mA
MGL1004	1	27 W	2,210 lm	82 lm/W	3,000 K	Dimmable (DALI)	White	25W, 700mA DALI DC 186-250V (0Hz)
MGL1005	1	27 W	2,450 lm	91 lm/W	4,000 K	Dimmable (DALI)	White	25W, 700mA DALI DC 186-250V (0Hz)
MGL1006	2	36 W	2,910 lm	81 lm/W	3,000 K	Switchable	White	42W, 900mA
MGL1007	2	36 W	3,070 lm	85 lm/W	4,000 K	Switchable	White	42W, 900mA
MGL1008	2	36 W	3,070 lm	85 lm/W	3,000 K	Dimmable (DALI)	White	50W 900mA DALI DC 186-250 V (0Hz)
MGL1009	2	36 W	3,230 lm	90 lm/W	4,000 K	Dimmable (DALI)	White	50W 900mA DALI DC 186-250 V (0Hz)

Accessories

Order code	Description
MGL0009	Exchangable reflector 40°, d=82mm, for Size 1
MGL0001	Exchangable reflector 40°, d=111mm, for Size 2
MGL0002	Front trim grey (similar to RAL 9006) for Size 1
MGL0003	Front trim grey (similar to RAL 9006) for Size 2

We reserve the right to make technical and design changes without prior notice.

5 YEARS
Warranty



SHARP
Selection

"Sharp Selection" – Sharp Electronics Europe (Ltd) widens the portfolio with products from qualified partners.



/This is Why

- Sharp Mini ZENIGATA LED chip (COB) for very good lighting quality and high efficiency
- Heat sink made of powder-coated die-cast aluminium in black, with an ideal surface for optimum passive heat dissipation, contributing to a long service life
- 40° beam angle for size 1 and 2 and 50° for size 3
- The light heads can be moved in each direction to max. 30° (cardanic) for size 1 and 2. For size 3 panning is possible on one axis
- The closed optical unit prevents the ingress of dust, easy cleaning of the cover glass
- For size 3, the protection can be increased to IP44 by means of a transparent polycarbonate snap-on cover; therefore the use in bathrooms and under canopies is possible
- 5,2 W / 7,5 W / 12,8 W comparable with NV-halogen lamp technologie 20 W / 35 W / 50 W
- Service Life: 50,000 hrs. (L70/B50): all downlights + 20W ballasts; 30,000 hrs. (L70/B50): 8W / 9W ballasts

Photometry

Beam Angle (C0/C90)	40° (Size 1 and 2), 50° (Size 3)
Light Source	Sharp Mini ZENIGATA COB
Luminaire Luminous Flux	Size 1: 390 lm Size 2: 540 lm Size 3: 920 lm
Correlated Colour Temperature (CCT)	3,000 K
Colour Rendering Index (CRI)	> 80
Efficiency	up to 75 lm/W
Glare Rating, UGR (C0/C90)	< 19
Optical System	Aluminium reflector

Downlight 08

Cut-out: 68 mm

General

Type	Downlight
Mounting	Ceiling recessed
Housing Colour	White, Aluminium
Marking	CE (light head), ENEC (ballast)
IP Rating	IP20 / IP44 (Size 3 with IP44 cover)
Electrical Protection Class	III (light head), II incl. ballast
Service Life	50,000 / 30,000 hrs. (L70/B50): see left
Ambient Temperature	-20°C to +40°C

Applications

- Hotel rooms
- Bar / Restaurant
- Residential
- Nursing homes / senior residences
- Washrooms / changing areas
- Treatment rooms / waiting rooms in clinics
- Shop / Retail
- Illumination of display cases and shelves
- Bathrooms (with IP44 cover - accessory)

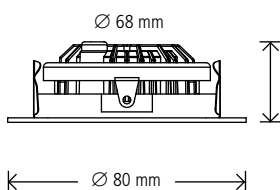
Electrical Specifications

Voltage	230 V AC
Connected Load	Size 1: 5.2 W Size 2: 7.5 W Size 3: 12.8 W
PCB Running Current	350, 500, 350 mA
Frequency	50-60 Hz
Driver / Ballast Type	electronic
Dimming / Switching	switchable (dimmable versions 10/14 - tbc)
Phase Shift	> 0,9 λ
Emergency Operation	With dimmable version from 10/14 - tbc

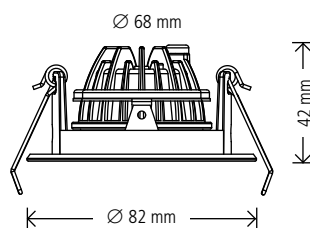
Dimensions

	Size 1	Size 2	Size 3
Dimensions	Ø 80x27 mm	Ø 82x42 mm	Ø 85x66.5 mm
Ceiling Cut-Out	Ø 68 mm		
Ceiling Thickness Range	5-25 mm	1-25 mm	1-25 mm
Recess Depth	30 mm	45 mm	70 mm
Weight	0.09 kg	0.11 kg	0.19 kg

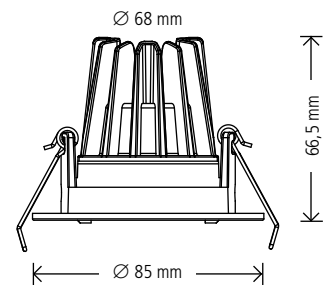
Size 1

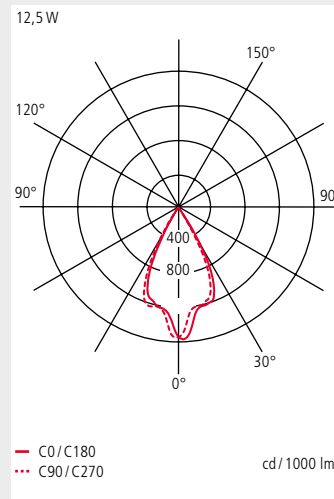
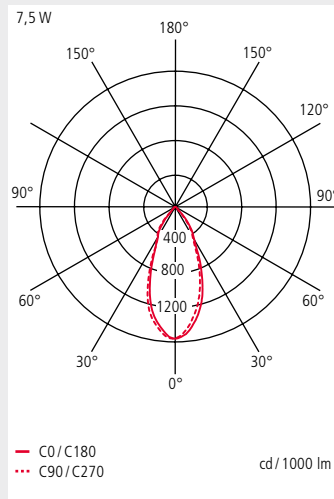
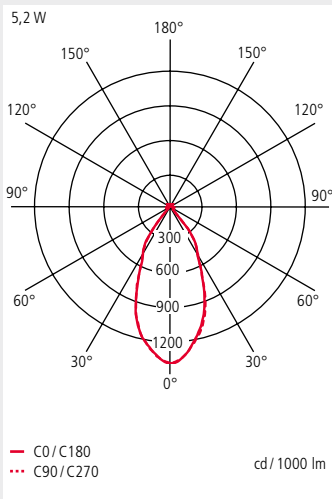


Size 2



Size 3





**[] SHARP
Inside**



Sharp ZENIGATA COB technology

- White or aluminium anodized or brushed trim ring (depending on size). The thin ring integrates harmoniously into the overall appearance of each type of ceiling design
- The front trim overlaps sufficiently to cover imperfections of the ceiling cut-out
- Reflector made of anodised pure steel aluminium (99.98%)
- Simple assembly through assembly springs, which protect the ceiling plate

- Connection of the throw-in ballast with the LED light head via flexible cable, both sides strain relieved
- The light head can be connected without tools with the primary and secondary side strain relieved and ENEC tested ballast
- Primary-side contact with one cable, single wire diameter 1.5mm² and 2.5 mm²

Luminaire versions

Order code	Size	Connected Load	Luminaire Luminous Flux	Efficiency	Colour Temperature	Controls	Housing Colour	Beam angle
MGL1020	1	5.2 W	390 lm	75 lm/W	3,000 K	Switchable = Must be ordered additionally	White	40°
MGL1021	1	5.2 W	390 lm	75 lm/W	3,000 K		Aluminium anodized	40°
MGL1022	2	7.5 W	540 lm	72 lm/W	3,000 K		White	40°
MGL1023	2	7.5 W	540 lm	72 lm/W	3,000 K		Aluminium brushed	40°
MGL1024	3	12.8 W	920 lm	72 lm/W	3,000 K		Weiß	50°
MGL1025	3	12.8 W	920 lm	72 lm/W	3,000 K		Aluminium brushed	50°

Accessories

Order code	Description
MGL0004	For Size 1: Ballast 230 V 50/60Hz 8 W, 350mA, switchable, 85 x 41 x 23 mm (LxWxH)
MGL0005	For Size 2: Ballast 230 V 50/60Hz 9 W, 500mA, switchable, 65 x 41 x 22 mm (LxWxH)
MGL0006	For Size 3: Ballast 230 V 50/60Hz 20 W, 350mA, switchable, 120 x 51 x 30 mm (LxWxH)
MGL0007	Only for Size 3: IP44 cover (12,8 W) from polycarbonate
MGL0008	Adapter cable 1.000mm, with connector, for all sizes, optional for dimmable ballasts

IP44 cover



We reserve the right to make technical and design changes without prior notice.

3 YEARS
Warranty



IP20
IP44



SHARP
Selection

"Sharp Selection" – Sharp Electronics Europe (Ltd) widens the portfolio with products from qualified partners.



Panel Light 01

Cut-out: 290x290 mm

General

Type	Panel Light
Mounting	Recessed
Housing Colour	White (similar to RAL 9016)
Marking	CE
IP Rating	IP20
Electrical Protection Class	I
Service Life	35,000 hrs. (LM80)
Ambient Temperature	0°C to +40°C

/This is Why

- High efficiency for energy saving
- Metal frame, metal back cover and diffuser

Applications

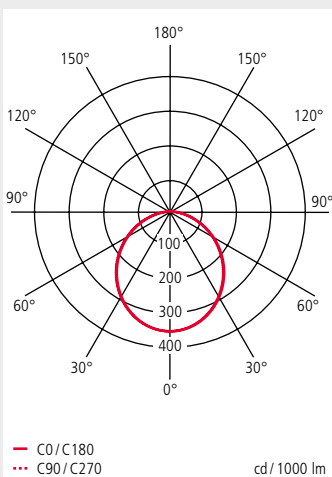
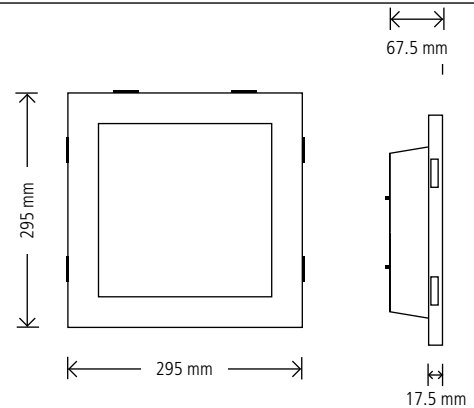
- Commercial
- Sales outlets
- Office
- Corridors
- Education
- Health

Photometry

Beam Angle (C0/C90)	110°
Light Source	LED
Luminaire Luminous Flux	800 lm
Correlated Colour Temperature (CCT)	3,000 K, 4,000 K or 6,500 K
Colour Rendering Index (CRI)	> 80
Efficiency	80 lm/W
Glare Rating, UGR (C0/C90)	<19
Optical System	PMMA sheet diffuser

Dimensions

Dimensions	295 x 295 x 67.5 mm
Ceiling Cut-Out	290 x 290 mm
Recess Depth	77.5 mm
Weight	1.5 kg



Electrical Specifications

Voltage	220-240 V AC
Connected Load	10 W
PCB Running Current	350 mA (± 5%)
Frequency	50-60 Hz
Driver / Ballast Type	Electronic, constant current
Dimming / Switching	1-10 Volt
Phase Shift	> 0.9 λ
Emergency Operation	On request



Luminaire versions

Connected Load	Correlated Colour Temperature	Luminaire Luminous Flux	Controls	Beam angle
10 W	3,000 K	800 lm	1-10 Volt	110°
10 W	4,000 K	800 lm	1-10 Volt	110°
10 W	6,500 K	800 lm	1-10 Volt	110°

We reserve the right to make technical and design changes without prior notice.

3 YEARS
Warranty



On request



“Sharp Selection” – Sharp Electronics Europe (Ltd) widens the portfolio with products from qualified partners.



Panel Light 02

Cut-out: 1190x290 mm

General

Type	Panel Light
Mounting	Recessed
Housing Colour	White (similar to RAL 9016)
Marking	CE
IP Rating	IP20
Electrical Protection Class	I
Service Life	35,000 hrs. (LM80)
Ambient Temperature	0°C to +40°C

/This is Why

- High efficiency for energy saving
- Typical replacement for T8 4x18W / TC-L 1x55W
- Metal frame, metal back cover and diffuser

Applications

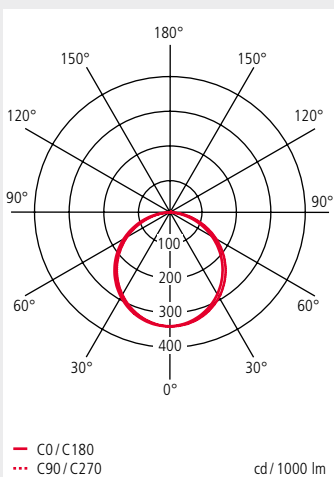
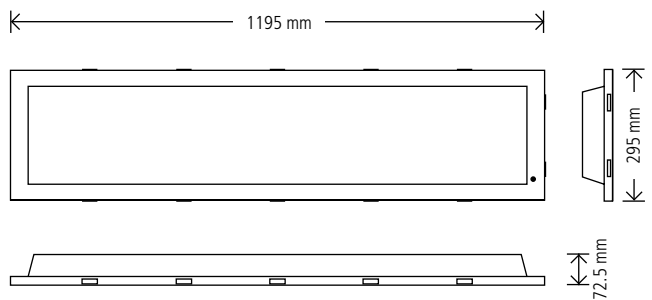
- Commercial
- Sales outlets
- Office
- Corridors
- Education
- Health

Photometry

Beam Angle (C0/C90)	110°
Light Source	LED
Luminaire Luminous Flux	3,200 lm
Correlated Colour Temperature (CCT)	3,000 K, 4,000 K or 6,500 K
Colour Rendering Index (CRI)	> 80
Efficiency	97 lm/W
Glare Rating, UGR (C0/C90)	<19
Optical System	PMMA sheet diffuser

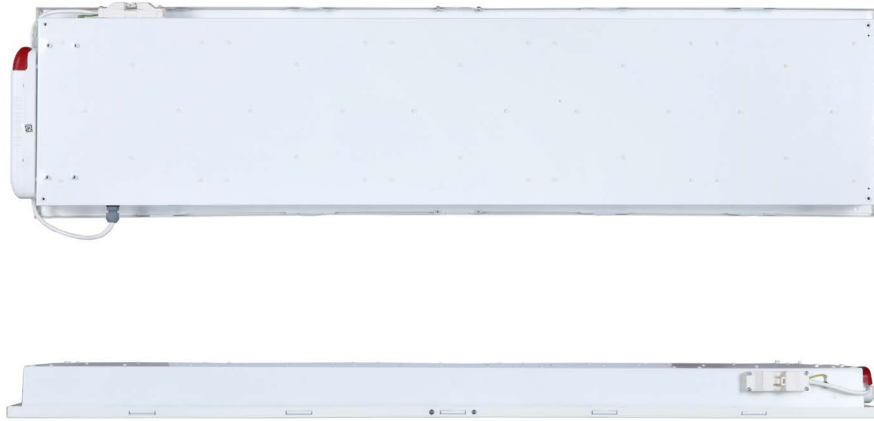
Dimensions

Dimensions	1195 x 295 x 72.5 mm
Ceiling Cut-Out	1190 x 290 mm
Recess Depth	82.5 mm
Weight	5.1 kg



Electrical Specifications

Voltage	220-240 V AC
Connected Load	33 W
PCB Running Current	1,200 mA
Frequency	50-60 Hz
Driver / Ballast Type	Electronic, constant current
Dimming / Switching	1-10 Volt
Phase Shift	> 0.9 λ
Emergency Operation	On request



Luminaire versions

Connected Load	Correlated Colour Temperature	Luminaire Luminous Flux	Controls	Beam angle
33 W	3,000 K	3,200 lm	1-10 Volt	110°
33 W	4,000 K	3,200 lm	1-10 Volt	110°
33 W	6,500 K	3,200 lm	1-10 Volt	110°

We reserve the right to make technical and design changes without prior notice.

3 YEARS
Warranty



On request



"Sharp Selection" – Sharp Electronics Europe (Ltd) widens the portfolio with products from qualified partners.



Panel Light 03

Cut-out: 590x590 mm

General

Type	Panel Light
Mounting	Recessed
Housing Colour	White (similar to RAL 9016)
Marking	CE
IP Rating	IP20
Electrical Protection Class	I
Service Life	35,000 hrs. (LM80)
Ambient Temperature	0°C to +40°C

/This is Why

- High efficiency for energy saving
- Metal frame, metal back cover and diffuser

Applications

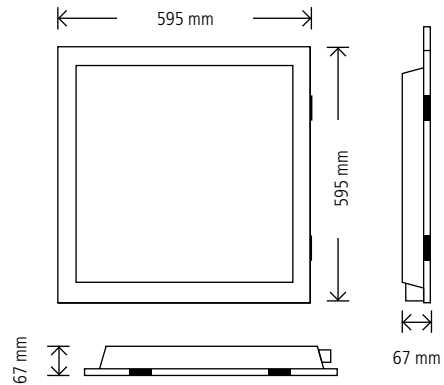
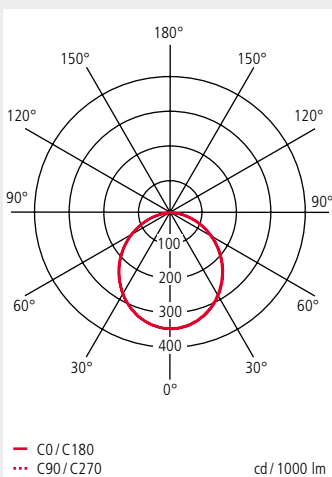
- Commercial
- Sales outlets
- Office
- Corridors
- Education
- Health

Photometry

Beam Angle (C0/C90)	110°
Light Source	LED
Luminaire Luminous Flux	2,650 lm
Correlated Colour Temperature (CCT)	3,000 K, 4,000 K or 6,500 K
Colour Rendering Index (CRI)	> 80
Efficiency	95 lm/W
Glare Rating, UGR (C0/C90)	<19
Optical System	PMMA sheet diffuser

Dimensions

Dimensions	595 x 595 x 67 mm
Ceiling Cut-Out	590 x 590 mm
Recess Depth	77 mm
Weight	5.1 kg



Electrical Specifications

Voltage	220-240 V AC
Connected Load	28 W
PCB Running Current	1,050 mA
Frequency	50-60 Hz
Driver / Ballast Type	Electronic, constant current
Dimming / Switching	1-10 Volt
Phase Shift	> 0.9 λ
Emergency Operation	On request



Luminaire versions

Connected Load	Correlated Colour Temperature	Luminaire Luminous Flux	Controls	Beam angle
28 W	3,000 K	2,650 lm	1-10 Volt	110°
28 W	4,000 K	2,650 lm	1-10 Volt	110°
28 W	6,500 K	2,650 lm	1-10 Volt	110°

We reserve the right to make technical and design changes without prior notice.

3 YEARS
Warranty



On request



"Sharp Selection" – Sharp Electronics Europe (Ltd) widens the portfolio with products from qualified partners.



Panel Light 04 Cut-out: 1190x590 mm

General

Type	Panel Light
Mounting	Recessed
Housing Colour	White (RAL 9016)
Marking	CE
IP Rating	IP20
Electrical Protection Class	I
Service Life	35,000 hrs. (LM80)
Ambient Temperature	0°C to +40°C

/This is Why

- High efficiency for energy saving
- Metal frame, metal back cover and diffuser

Applications

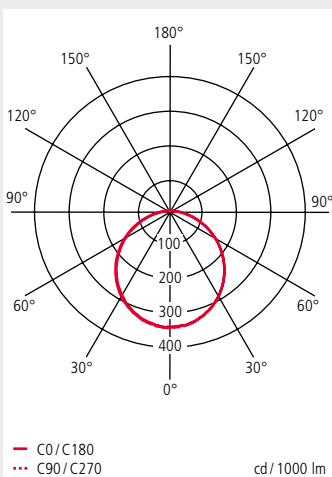
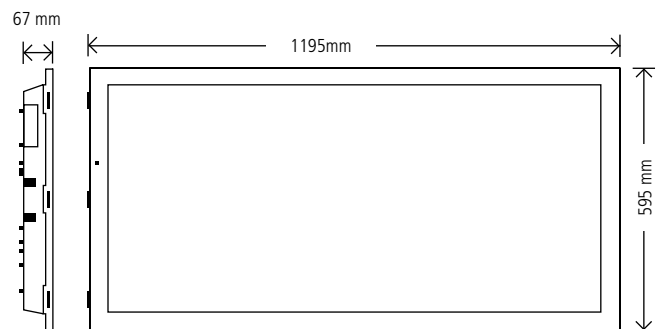
- Commercial
- Sales outlets
- Office
- Corridors
- Education
- Health

Photometry

Beam Angle (C0/C90)	110°
Light Source	LED
Luminaire Luminous Flux	5,400 lm
Correlated Colour Temperature (CCT)	3,000 K, 4,000 K or 6,500 K
Colour Rendering Index (CRI)	> 80
Efficiency	95 lm/W
Glare Rating, UGR (C0/C90)	<19
Optical System	PMMA sheet diffuser

Dimensions

Dimensions	1,195 x 595 x 67 mm
Ceiling Cut-Out	1190 x 590 mm
Recess Depth	77 mm
Weight	9.5 kg



Electrical Specifications

Voltage	220-240 V AC
Connected Load	57 W
PCB Running Current	1,200 mA
Frequency	50-60 Hz
Driver / Ballast Type	Electronic, constant current
Dimming / Switching	1-10 Volt
Phase Shift	> 0.9 λ
Emergency Operation	On request

Luminaire versions

Connected Load	Correlated Colour Temperature	Luminaire Luminous Flux	Controls	Beam angle
57 W	3,000 K	5,400 lm	1-10 Volt	110°
57 W	4,000 K	5,400 lm	1-10 Volt	110°
57 W	6,500 K	5,400 lm	1-10 Volt	110°

We reserve the right to make technical and design changes without prior notice.

3 YEARS
Warranty



IP20



On request

SHARP
Selection

"Sharp Selection" – Sharp Electronics Europe (Ltd) widens the portfolio with products from qualified partners.



Panel Light 05

Cut-out: 595x595 mm, ultra slim

General

Type	Panel Light
Mounting	Recessed or suspended (optional)
Housing Colour	White (similar to RAL 9016)
Marking	CE
IP Rating	IP20
Electrical Protection Class	I
Service Life	35,000 hrs. (LM80)
Ambient Temperature	0°C to +40°C

/This is Why

- High efficiency for energy saving
- Typical replacement for T8 4x18W / TC-L 1x55W
- Aluminium frame, aluminium back cover and diffuser

Applications

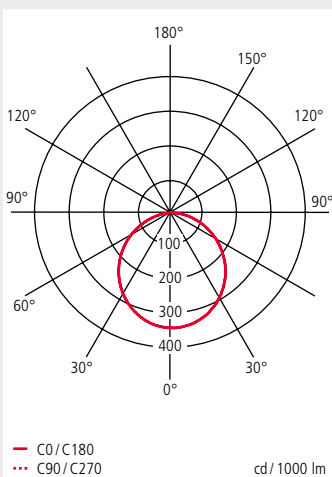
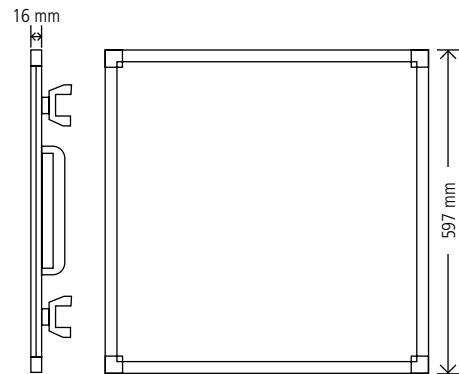
- Commercial
- Sales outlets
- Office
- Corridors
- Education
- Health

Photometry

Beam Angle (C0/C90)	120°
Light Source	LED
Luminaire Luminous Flux	3,250 lm
Correlated Colour Temperature (CCT)	3,000 K, 4,000 K or 6,500 K
Colour Rendering Index (CRI)	> 80
Efficiency	81 lm/W
Glare Rating, UGR (C0/C90)	<19
Optical System	PMMA sheet diffuser

Dimensions

Dimensions	597 x 597 x 16 mm
Ceiling Cut-Out	595 x 595 mm
Recess Depth	26 mm
Weight	4.8 kg



Electrical Specifications

Voltage	220-240 V AC
Connected Load	40 W
PCB Running Current	900 mA
Frequency	50-60 Hz
Driver / Ballast Type	Electronic, constant current
Dimming / Switching	1-10 Volt
Phase Shift	> 0.9 λ
Emergency Operation	On request



Luminaire versions

Connected Load	Correlated Colour Temperature	Luminaire Luminous Flux	Controls	Beam angle
40 W	3,000 K	3,200 lm	1-10 Volt	120°
40 W	4,000 K	3,200 lm	1-10 Volt	120°
40 W	6,500 K	3,200 lm	1-10 Volt	120°

We reserve the right to make technical and design changes without prior notice.

3 YEARS
Warranty



On request



"Sharp Selection" – Sharp Electronics Europe (Ltd) widens the portfolio with products from qualified partners.



/This is Why

- Ultra slim design (12mm)
- As a replacement for traditional grid lights T8 4x18W
- Diffuse light distribution by opalescent surface structure, optional glare control for workstations with UGR <19 (optional)
- Connection of LED panels and ballasts without tools
- Optimal protection against dust and insects with IP40
- Luminaire frame made of extruded aluminium profile, powder-coated

Photometry

Beam Angle (C0/C90)	180° (tbc)
Light Source	2 x 132 SMD LEDs
Luminaire Luminous Flux	3,400 / 3,500 lm
Correlated Colour Temperature (CCT)	3,000 K or 4,000 K
Colour Rendering Index (CRI)	> 80
Efficiency	up to 88 lm/W
Glare Rating, UGR (C0/C90)	<19 (optional)
Optical System	PC diffuser (standard) or Polystyren diffuser (UGR<19)

Electrical Specifications

Voltage	230 V Panel, 220-240 V ballast
Connected Load	40 W
PCB Running Current	1050 mA
Frequency	50-60 Hz
Driver / Ballast Type	electronic
Dimming / Switching	switchable or DALI dimmable
Phase Shift	> 0.9 λ
Emergency Operation	0Hz-operation with TCI ballasts, available from 11/2014

Panel Light 06

Cut-out: 625x625 / 600x600 mm, ultra slim

General

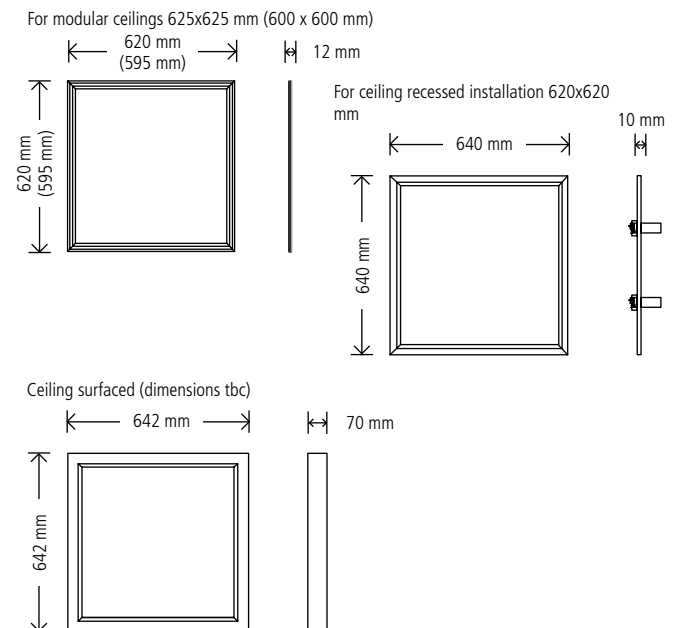
Type	Panel Light
Mounting	Recessed or ceiling surfaced
Housing Colour	White (similar to RAL 9010)
Marking	CE, TÜV Rheinland (Panel), ENEC (ballast)
IP Rating	IP40
Electrical Protection Class	III (Panel), II incl. ballast
Service Life	50,000 hrs. (L70/B50)
Ambient Temperature	-20°C to +40°C

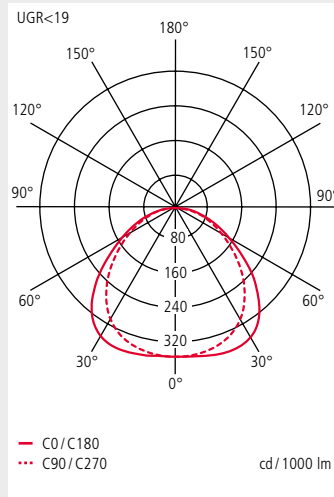
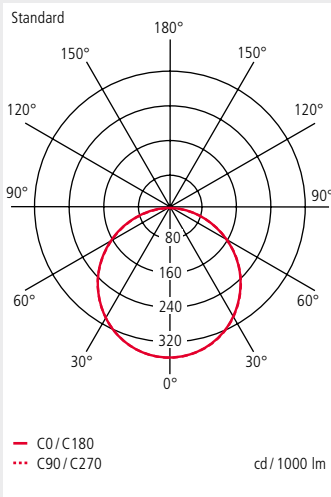
Applications

- Use as: 1. Recessed luminaire for modular ceiling structures, 2. Recessed luminaire for plasterboard or wood ceilings (with 4 rear spring clamps) or 3. Ceiling surfaced luminaire (luminaire + mounting bracket from the accessories); as well for complete luminous ceilings
- Offices
- Shop / Retail
- Nursing homes / senior residences
- Treatment rooms / waiting rooms in clinics
- Firms / banks

Dimensions

Dimensions	
Recessed luminaire / modular ceilings:	- 620 x 620 x 12 mm - 595 x 595 x 12 mm
Recessed luminaire / ceiling installation:	- 640 x 640 x 10 mm
Ceiling surfaced luminaire:	- 642 x 642 x 70 mm (Luminaire for modular ceilings + mounting bracket)
Ceiling Cut-Out	
Recessed luminaire / modular ceilings:	625 x 625 mm 600 x 600 mm
Recessed luminaire / ceiling installation:	620 x 620 mm
Recess Depth	Information follows
Weight	3.32 kg





Luminaire versions

Order code	Mounting	Connected Load	Luminaire Luminous Flux	Efficiency	Colour Temperature	Housing Colour	Controls
MGL2000	For modular ceilings 625x625 mm	40 W	3,400 lm	85 lm/W	3,000 K	White	Switchable or dimmable = Must be ordered additionally
MGL2001		40 W	3,500 lm	88 lm/W	4,000 K	White	
MGL2002	For modular ceilings 625x625 mm, UGR<19	40 W	3,400 lm	85 lm/W	3,000 K	White	
MGL2003		40 W	3,500 lm	88 lm/W	4,000 K	White	
MGL2101	For modular ceilings 600x600 mm	40 W	3,500 lm	88 lm/W	4,000 K	White	
MGL2103	For modular ceilings 600x600 mm, UGR<19	40 W	3,500 lm	88 lm/W	4,000 K	White	
MGL2004	For ceiling recessed installation 620x620 mm	40 W	3,400 lm	85 lm/W	3,000 K	White	
MGL2005		40 W	3,500 lm	88 lm/W	4,000 K	White	
MGL2006	For ceiling recessed installation 620x620 mm, UGR<19	40 W	3,400 lm	85 lm/W	3,000 K	White	
MGL2007		40 W	3,500 lm	88 lm/W	4,000 K	White	

Accessories

Order code	Description
MGL0010	Electronic ballast 230 V 50/60 Hz 40W, 1050mA, switchable, with connector -> TCI ballasts from 11/14
MGL0011	Electronic ballast 230 V 50/60 Hz 40W, 1050mA, digital DALI dimmable, with connector -> TCI ballasts from 11/14
MGL0012	Mounting brackets for ceiling surfaced mounting, only for 625x625 mm

We reserve the right to make technical and design changes without prior notice.

5 YEARS
Warranty



SHARP
Selection

"Sharp Selection" – Sharp Electronics Europe (Ltd) widens the portfolio with products from qualified partners.



Streetlight 01

General

Type	Street luminaire
Mounting	Pole top installation
Housing Colour	RAL 9006 (other colours on request)
Marking	ENEC 27, CE, ESS, CCA
IP Rating	67
Electrical Protection Class	I
Service Life	up to 100,000 hrs.
Ambient Temperature	-40°C to +50°C (-25°C to +50°C for step dimming versions)
Windage area (Fw)	0,033 m ²
Impact Resistance	IK10

/This is Why

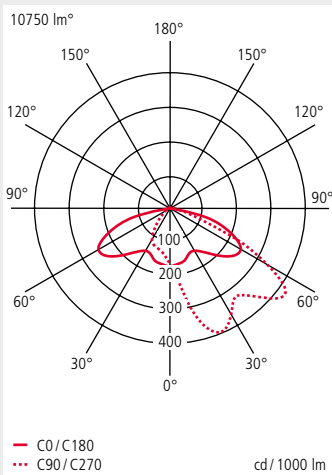
- Surge protection up to 10kv, Impact resistance IK10
- High system efficiency with up to 93 lm/W, constant lumen output
- Aluminium housing, polycarbonate cover, aluminium reflector
- Tilttable spigot
- Dimming possibilities: 1-10 V / intelligent dimming (fully programmable driver / step dimming (bi-power output))
- Wieland fast connection
- Typical replacement for HPS 70 W, 100 W or 150 W
- Service life of up to 100.000 hrs (35°C), L90 (28/42/56/69W - 350 mA), L70 (57/85/113/138W - 700 mA)
- Finless body, self cleaning

Applications

- Streets (road classes ME4 and ME6)
- Sidewalks
- Parks
- Industrial areas

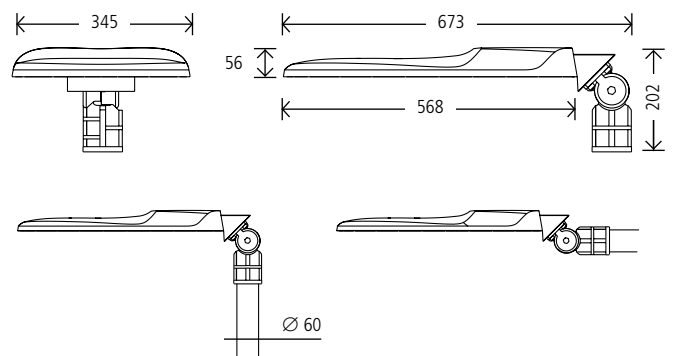
Photometry

Beam Angle C0 / C180 : C90/270	148° : asymmetric
Light Source	LED
Luminaire Luminous Flux	2,600-10,750 lm
Correlated Colour Temperature (CCT)	5,000 K
Colour Rendering Index (CRI)	> 70
Efficiency	up to 93 lm/W
Glare Rating, UGR (C0 / C90)	31
Optical System	Reflector, lenses



Dimensions

Dimensions	568 x 345 x 56 mm
Weight	12 kg



Electrical Specifications

Voltage	220-240 V AC
Connected Load	28-113 W
PCB Running Current	350 or 700 mA
Frequency	50-60 Hz
Driver / Ballast Type	EB or EB A2
Dimming / Switching	DALI, 1-10V, step dimming
Surge Protection	up to 10 kV



Luminaire versions

Connected Load	Luminaire Luminous Flux	Efficiency	PCB Running Current	Driver/Ballast	Road Class	Connector
28 W	2,600 lm	93 lm/W	350 mA	EB A2	ME6	Wieland RST 20i3 or RST 20i5
42 W	3,850 lm	92 lm/W	350 mA	EB A2	ME6	Wieland RST 20i3 or RST 20i6
57 W	4,450 lm	78 lm/W	700 mA	EB A2	ME6	Wieland RST 20i3 or RST 20i7
56 W	5,050 lm	90 lm/W	350 mA	EB A2	ME6	Wieland RST 20i3 or RST 20i8
69 W	6,300 lm	91 lm/W	350 mA	EB A2	ME5	Wieland RST 20i3 or RST 20i9
85 W	6,600 lm	78 lm/W	700 mA	EB A2	ME5	Wieland RST 20i3 or RST 20i10
113 W	8,600 lm	76 lm/W	700 mA	EB A2	ME4	Wieland RST 20i3 or RST 20i11
138 W	10,750 lm	78 lm/W	700 mA	EB A2	ME4	Wieland RST 20i3 or RST 20i12
28 W	2,600 lm	93 lm/W	350 mA	EB	ME6	Wieland RST 20i3 or RST 20i5
42 W	3,850 lm	92 lm/W	350 mA	EB	ME6	Wieland RST 20i3 or RST 20i6
56 W	5,500 lm	90 lm/W	350 mA	EB	ME6	Wieland RST 20i3 or RST 20i8
113 W	8,600 lm	76 lm/W	700 mA	EB	ME4	Wieland RST 20i3 or RST 20i11

We reserve the right to make technical and design changes without prior notice.

5 YEARS
Warranty



SHARP
Selection

"Sharp Selection" – Sharp Electronics Europe (Ltd) widens the portfolio with products from qualified partners.

This is Why

www.sharp.eu/lighting

SHARP

LED LIGHTING/
SHARP ENERGY SOLUTIONS EUROPE
SHARP ELECTRONICS GMBH
SONNINSTR.3
20097 HAMBURG
T: +49(0)40/2376-2271
F: +49(0)40/2376-15-2271
E: INFO.LIGHTING@SHARP.EU